

Extreme VTE 2

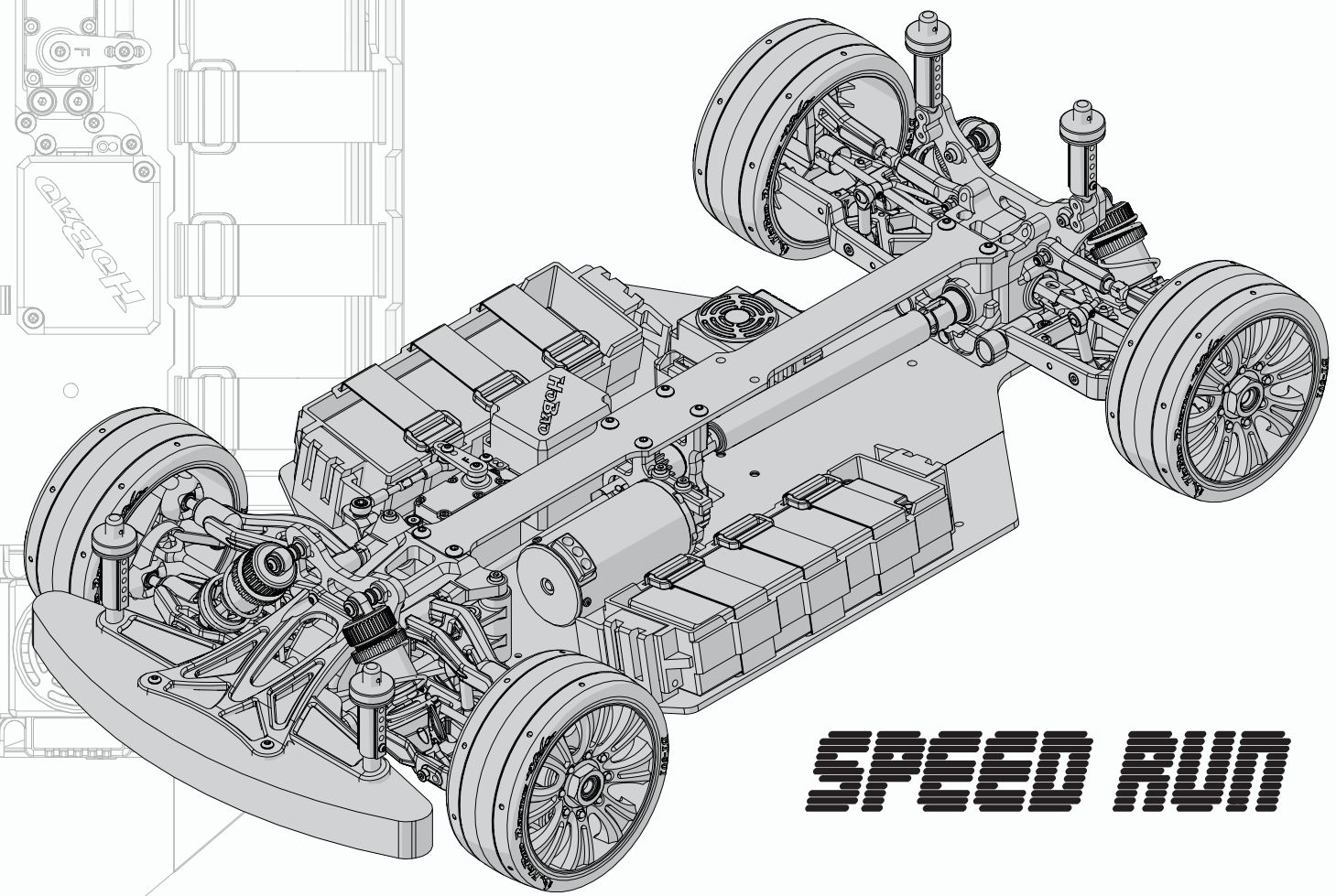
1/7th SCALE

HoBao

HoBao Racing Inc.
No. 34, Lane 112, Szu Yuan Road, Hsin Chuang District,
New Taipei City, Taiwan 24250
Phone: +886-2-2996-2229
Email: hobao@hobao.com.tw

HoBao Racing USA
7607 Grissom Road, Suite
#107, San Antonio, TX 78251. US
Tel: +1-888-687-6780
Email: info@hobao-usa.com

HoBao Racing Direct eShop: <http://eshop.hobao-racing.com>



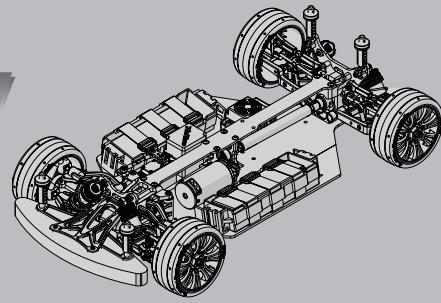
SPEED RUN

INSTRUCTION MANUAL

Made in Taiwan

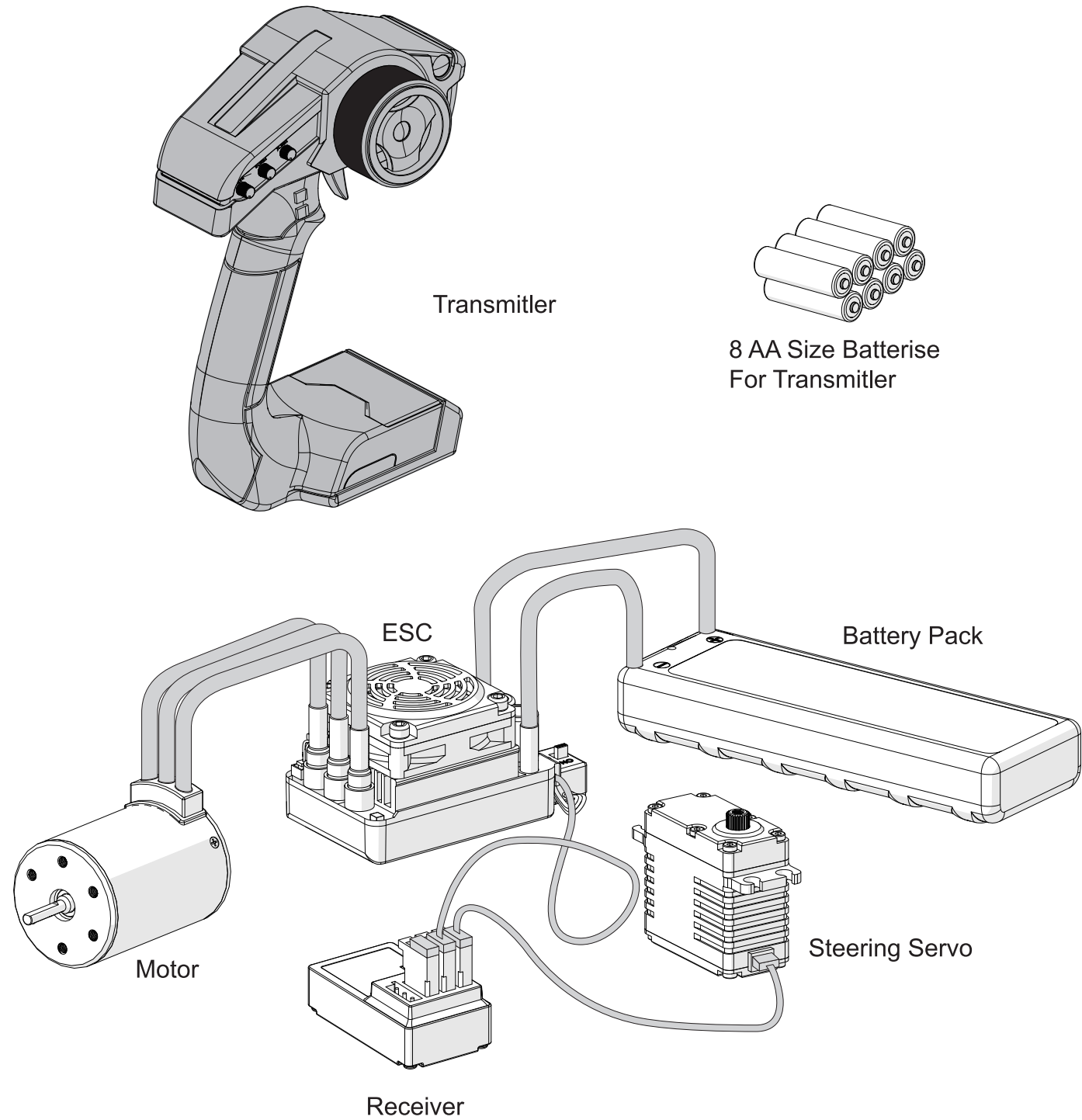
Extreme VTE 2

1/17 SCALE Drag Race Car



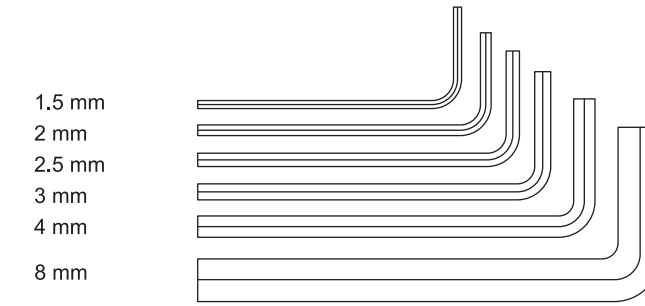
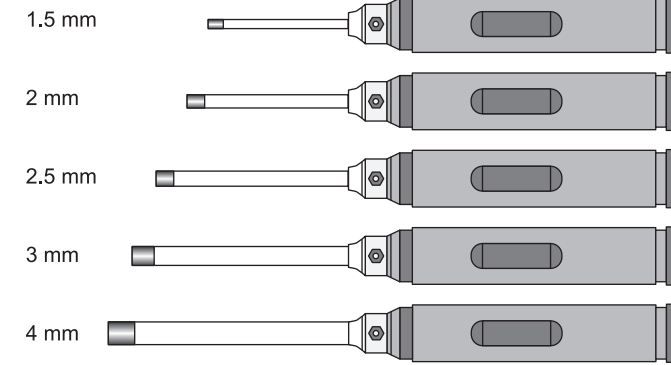
REQUIRED

Radio Control Equipment Set

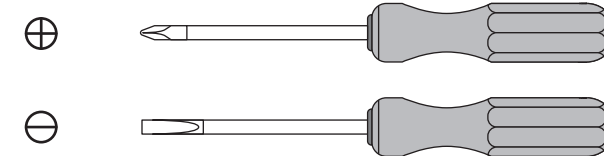


Tools Recommended

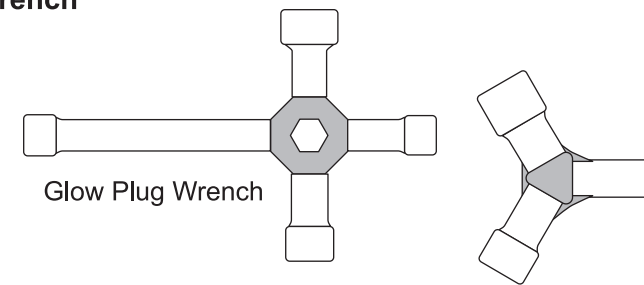
Hex Wrench



Screwdriver



Wrench



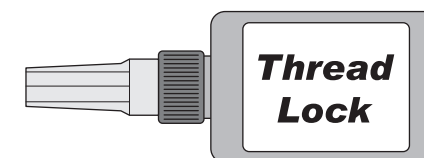
Instant Cement



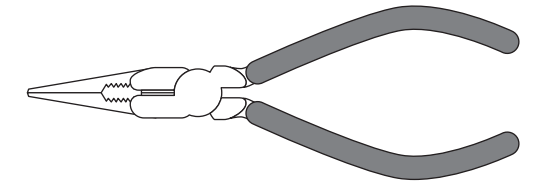
Rubber Cement



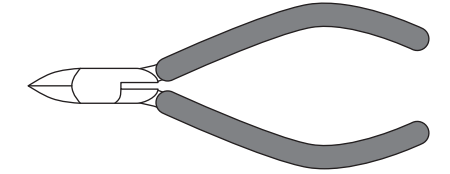
Thread Lock



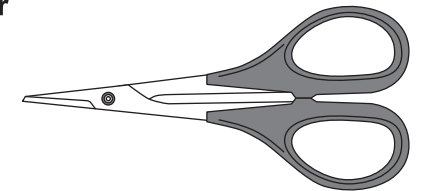
Long Nose Pliers



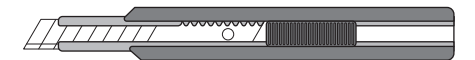
Side Cutter



Curved Scissor



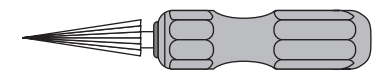
Modeling Knife



Tweezers



Reamer








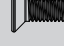
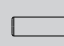
Grease

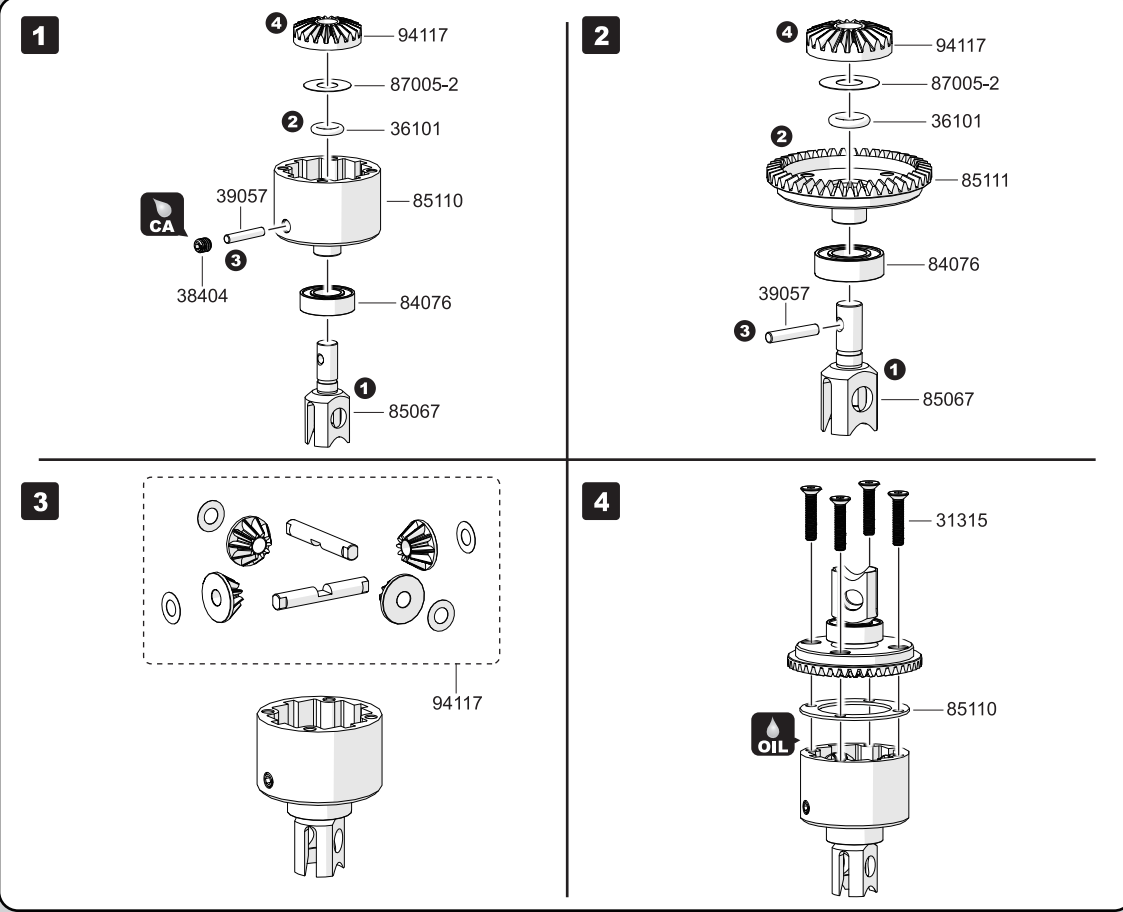





Silicone Oil

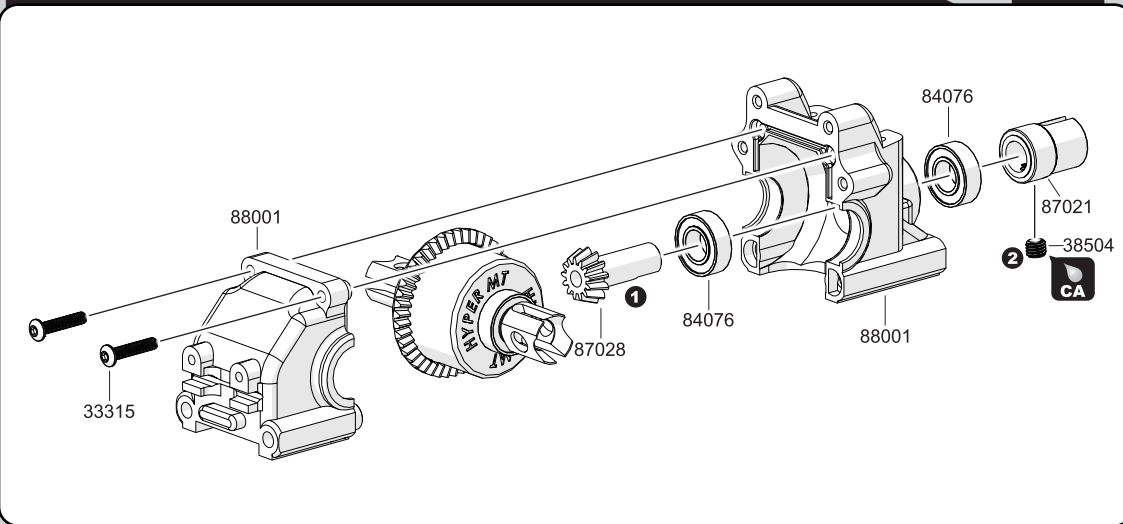



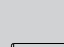

1

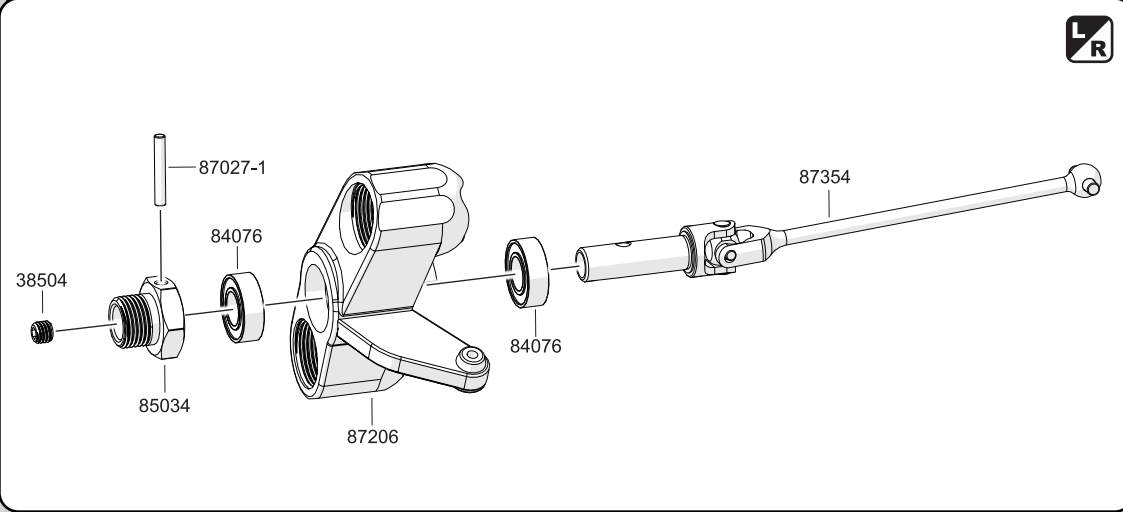
-  85066
4.1x8x0.1mm x8
Washer
-  87005-2
6.2x13.9x0.15mm x4
Washer
-  36101
5.8x1.9mm x4
O-ring
-  38404
M4x4 x2
Set Screw
-  31315
M3x15 x8
F/H Screw
-  39057
2.5x10.8mm x4
Shaft
-  84076
8x16x5mm x4
Ball Bearing



Front / Rear Differential Assembly**x2****2**

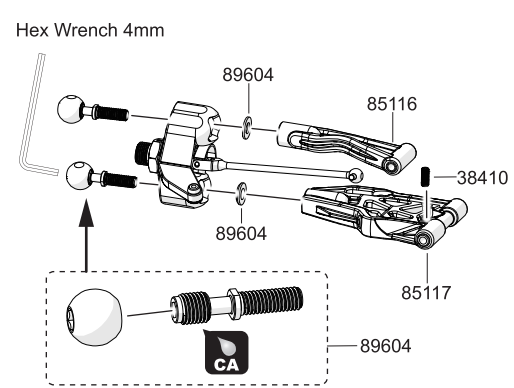
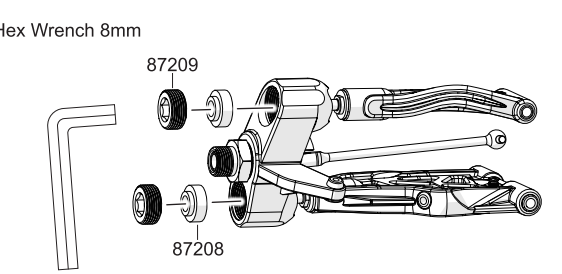
-  38504
M5x4 x2
Set Screw
-  33315
M3x15 x4
B/H Screw
-  84076
8x16x5mm x4
Ball Bearing

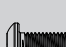

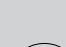

Front / Rear Gear Box Assembly**x2****3**

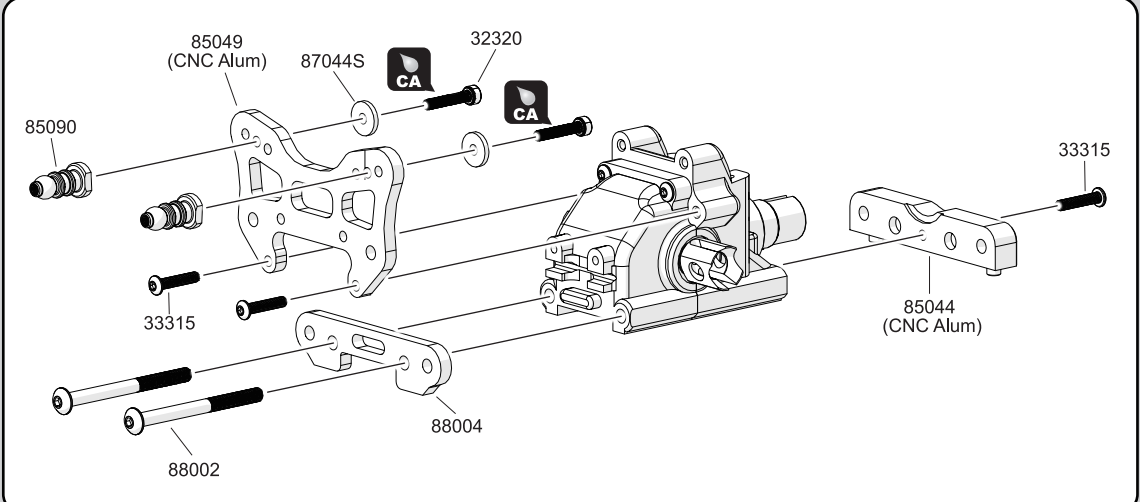
-  38504
M5x4 x2
Set Screw
-  87027-1
2.5x16.8mm x2
Shaft
-  84076
8x16x5mm x4
Ball Bearing

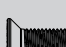

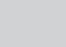
Front Pivot Ball Steering And CVA Shaft Assembly**L/R****4**

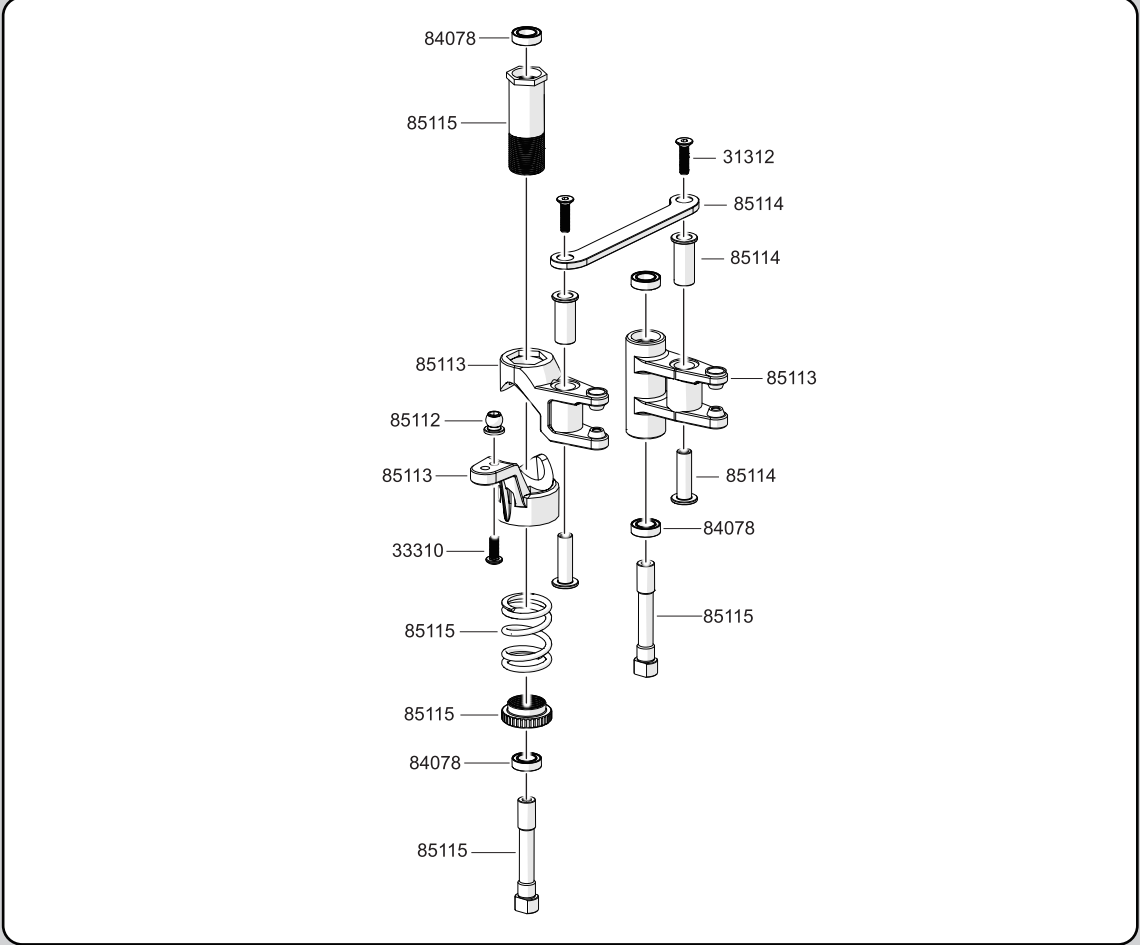
-  38410
M4x10 x2
Set Screw
-  87209
Set Screw

Front Pivot Ball Steering And Suspension Arm Assembly**STEP 1****STEP 2****5**

-  33315
M3x15 x3
B/H Screw
-  32320
M3x20 x2
Cap Screw
-  87044S x2
Alum Collar
-  88002
M4x47 x2
B/H Screw

CNC Alum Front Shock Tower and Lower Arm Holder Assembly**6**

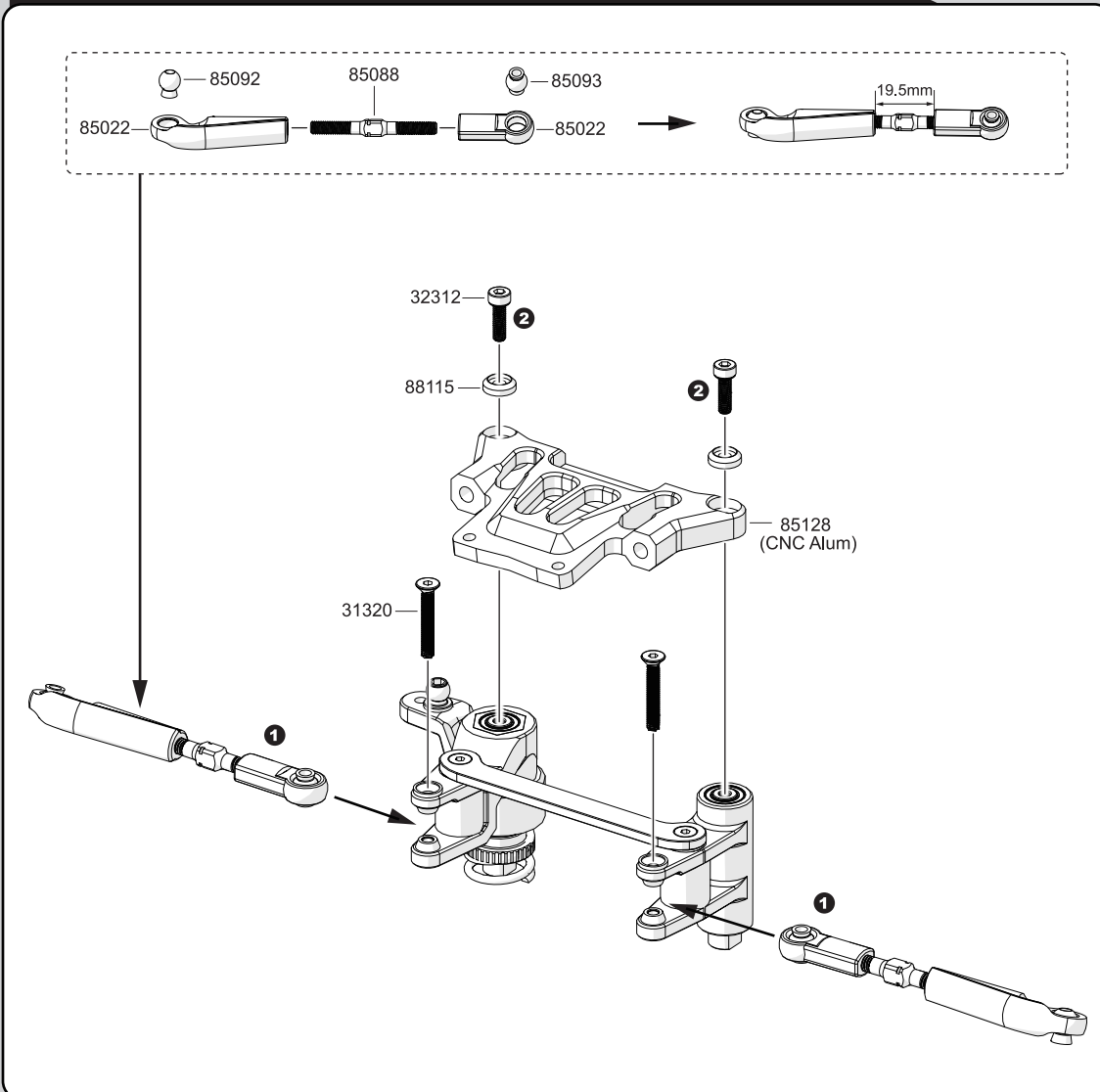
-  31312
M3x12 x2
F/H Screw
-  33310
M3x10 x1
B/H Screw
-  84078
6x10x3mm x4
Ball Bearing

Servo Saver Assembly 1

7

Servo Saver Assembly 2

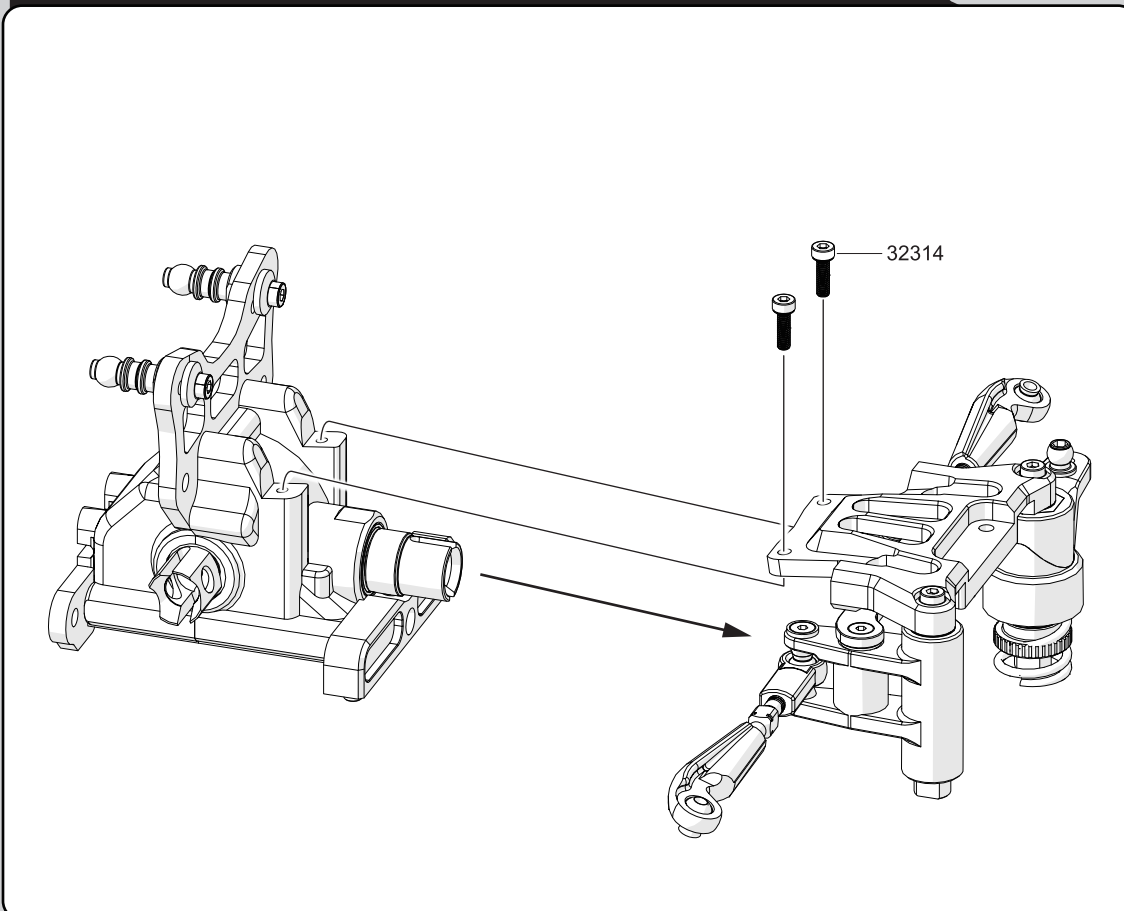
- 31320 M3x20 x2 F/H Screw
- 32312 M3x12 x2 Cap Screw



8

Servo Saver Assembly 3

- 32314 M3x14 x2 Cap Screw

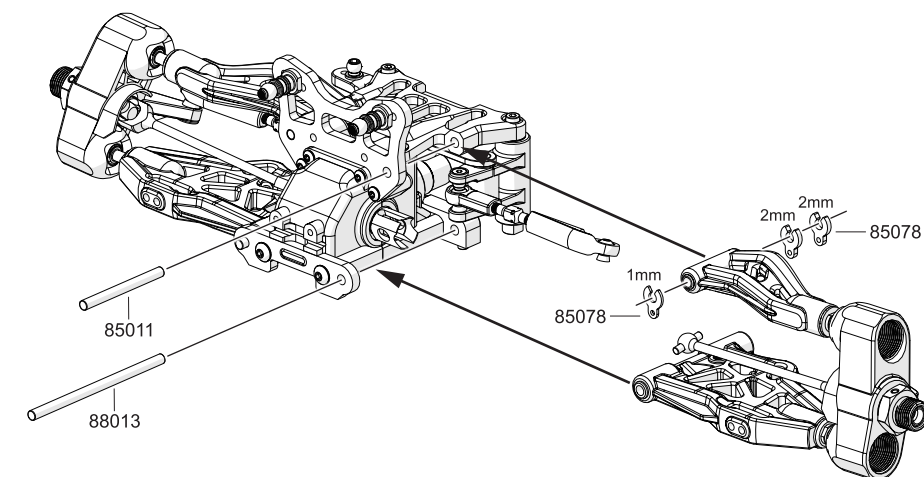


9

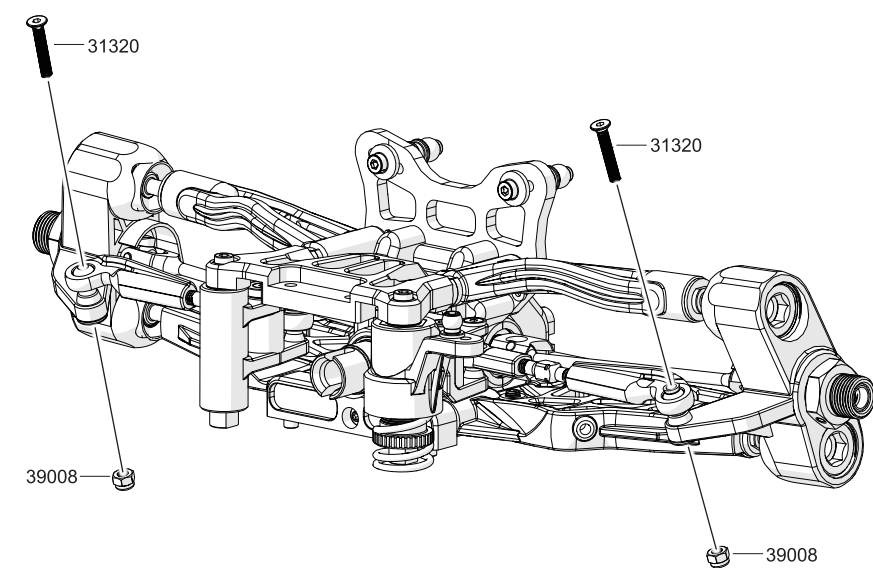
Front Suspension Arm Assembly

- 31320 M3x20 x2 F/H Screw
- 39008 M3 Nut x2

STEP 1



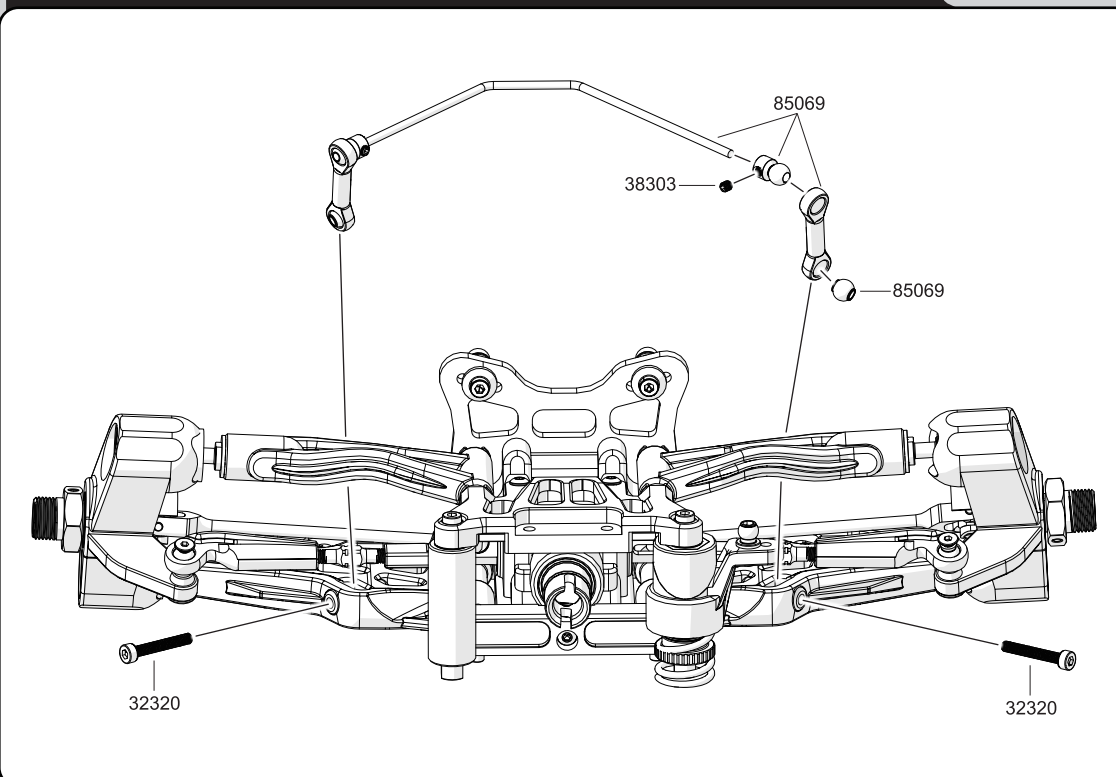
STEP 2



10

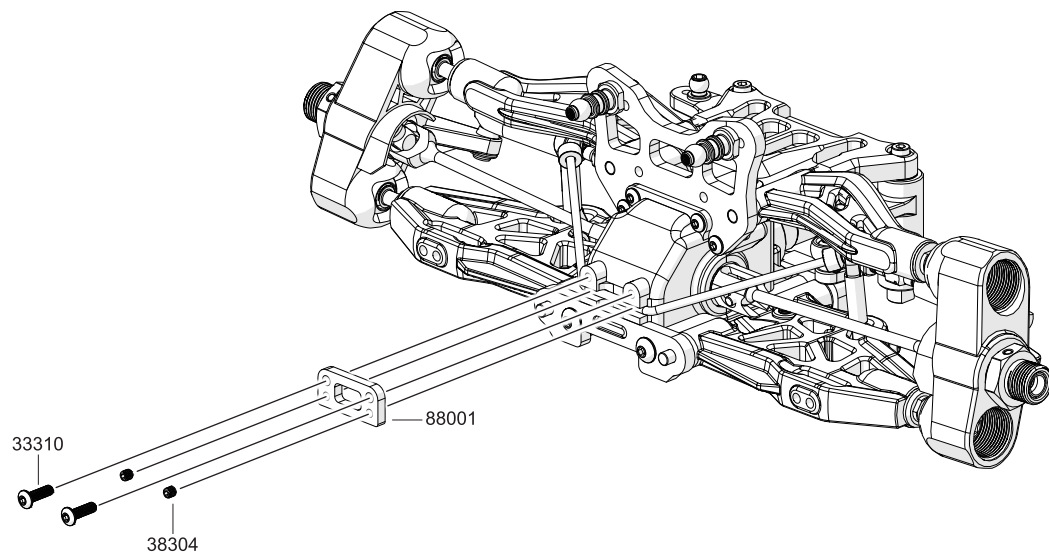
Front Sway Bar Assembly 1

- 32320 M3x20 x2 Cap Screw
- 38303 M3x3 x2 Set Screw

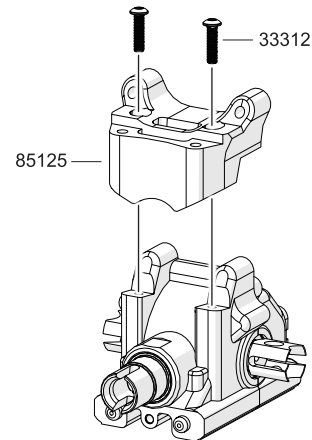
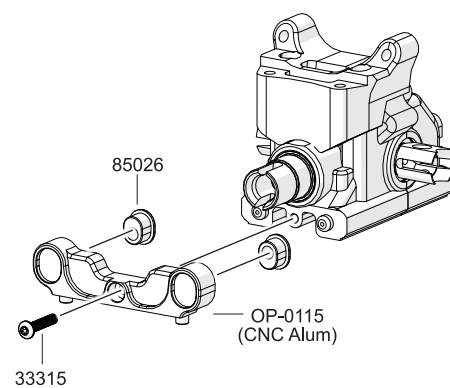
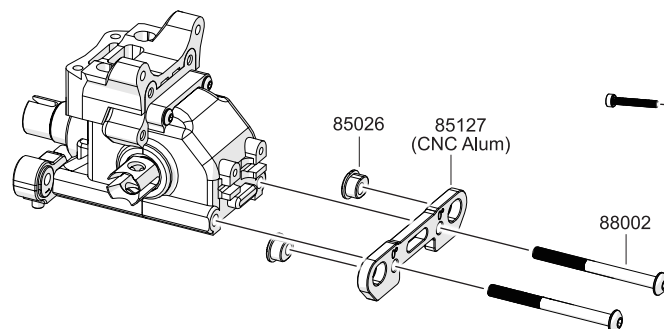
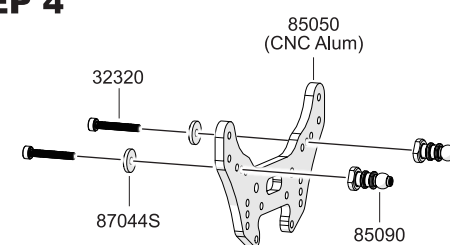
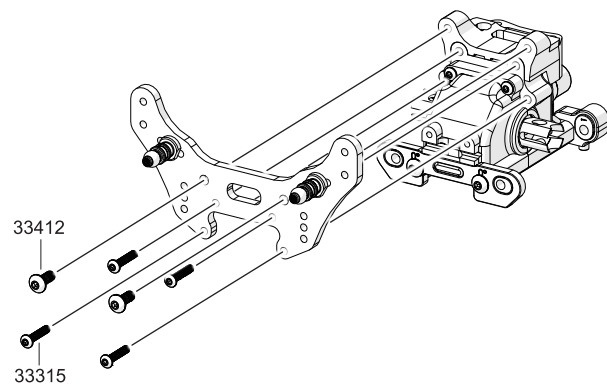


11

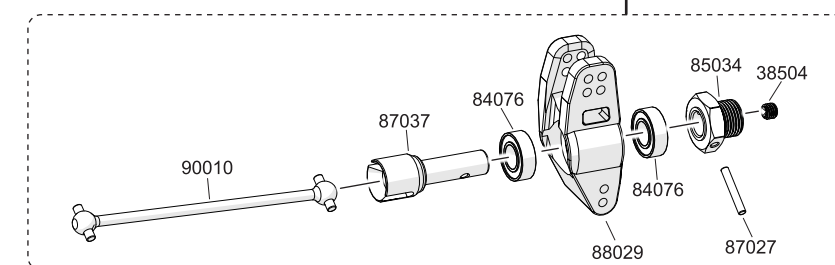
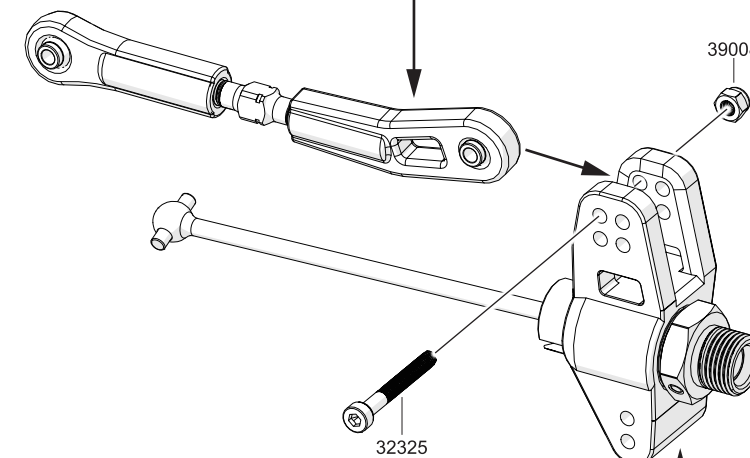
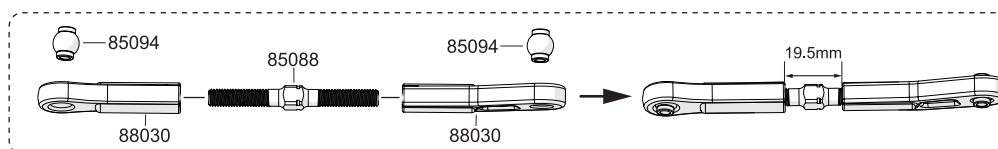
- 38304
M3x4 x2
Set Screw
- 33310
M3x10 x2
B/H Screw

Front Sway Bar Assembly 2**12**

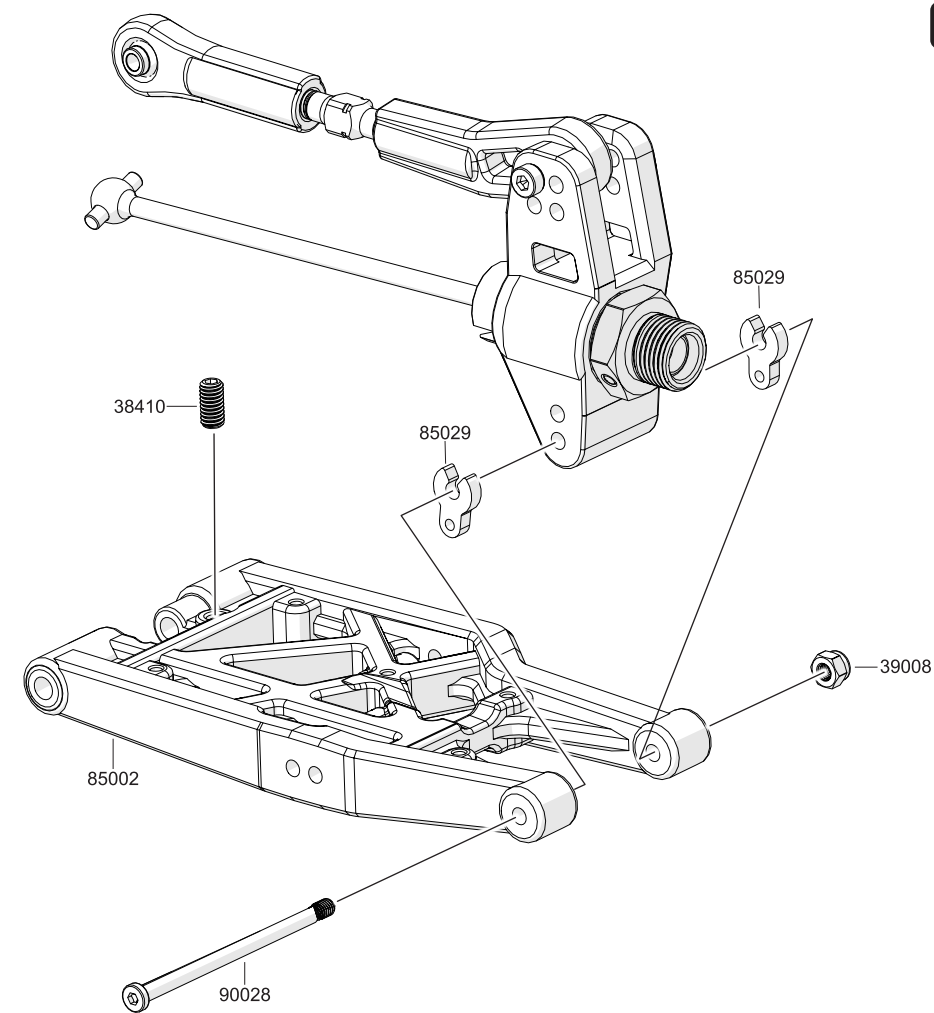
- 33412
M4x12 x2
B/H Screw
- 33312
M3x12 x2
B/H Screw
- 33315
M3x15 x5
B/H Screw
- 32320
M3x20 x2
Cap Screw
- 87044S
Alum Collar x2
- 88002
M4x47 x2
B/H Screw

CNC Alum Front Shock Tower/Lower Arm Holder And Gear Box Assembly**STEP 1****STEP 2****STEP 3****STEP 4****STEP 5****13**

- 39008
M3 Nut x2
- 38504
M5x4 x2
Set Screw
- 84076
8x16x5mm x4
Ball Bearing
- 32325
M3x25 x2
Cap Screw

Rear Suspension Arm And Axle Assembly 1**14**

- 38410
M4x10 x2
Set Screw
- 39008
M3 Nut x2
- 90028
M3x50 x2
Cap Screw

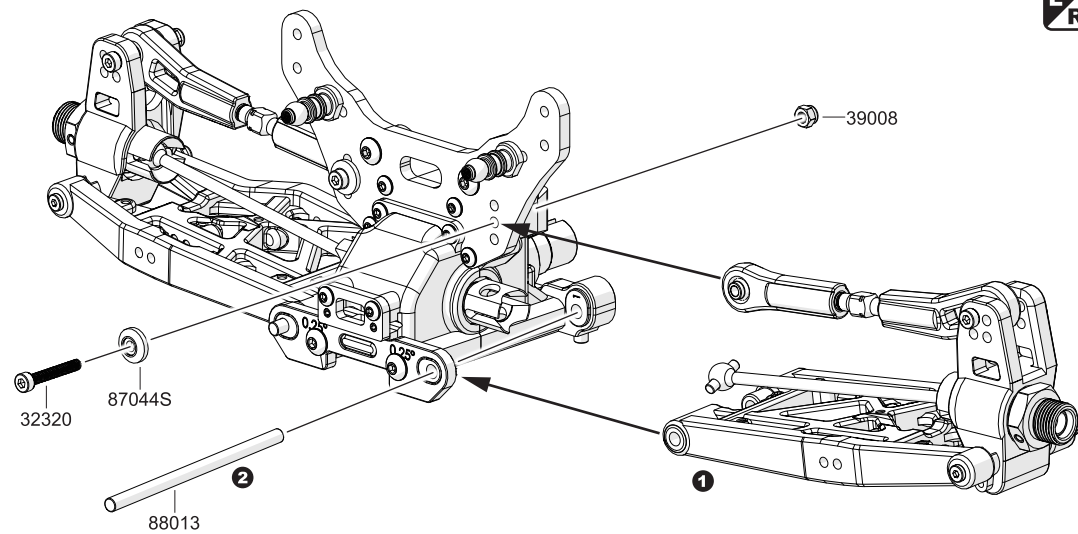
Rear Suspension Arm And Axle Assembly 2

15**Rear Suspension Arm Assembly**

32320
M3x20 x2
Cap Screw

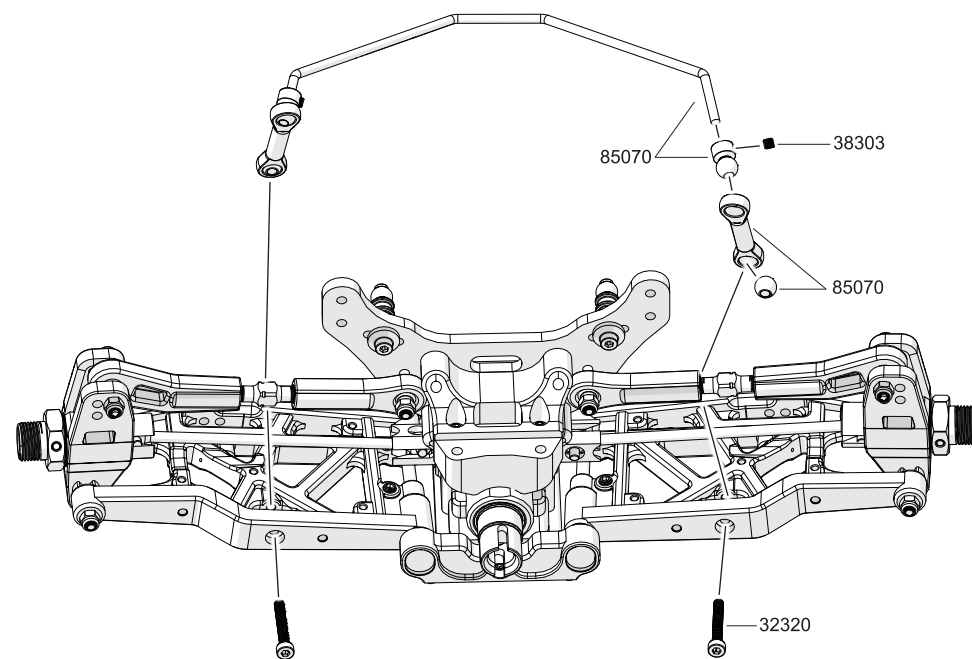
39008
M3 Nut x2

87044S
Alum Collar x2

**L**
R**16****Rear Sway Bar Assembly 1**

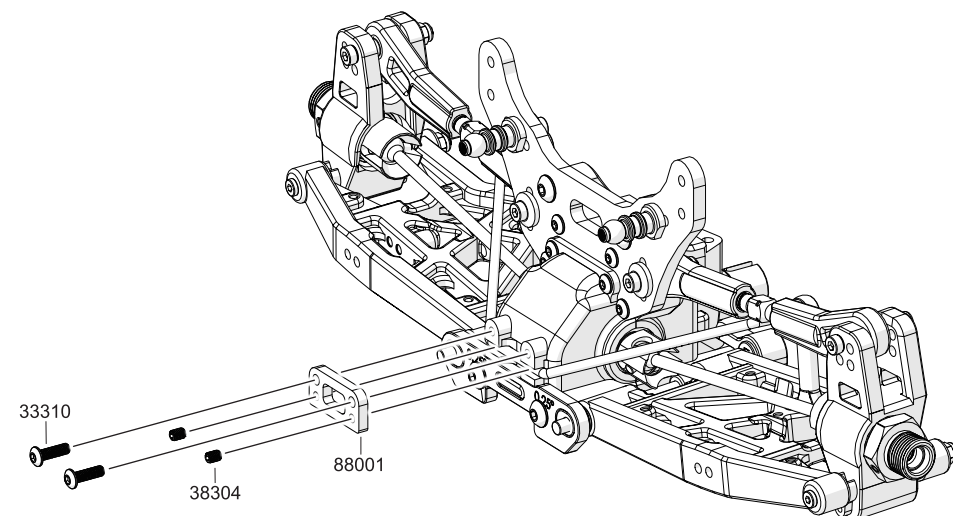
32320
M3x20 x2
Cap Screw

38303
M3x3 x2
Set Screw

**17****Rear Sway Bar Assembly 2**

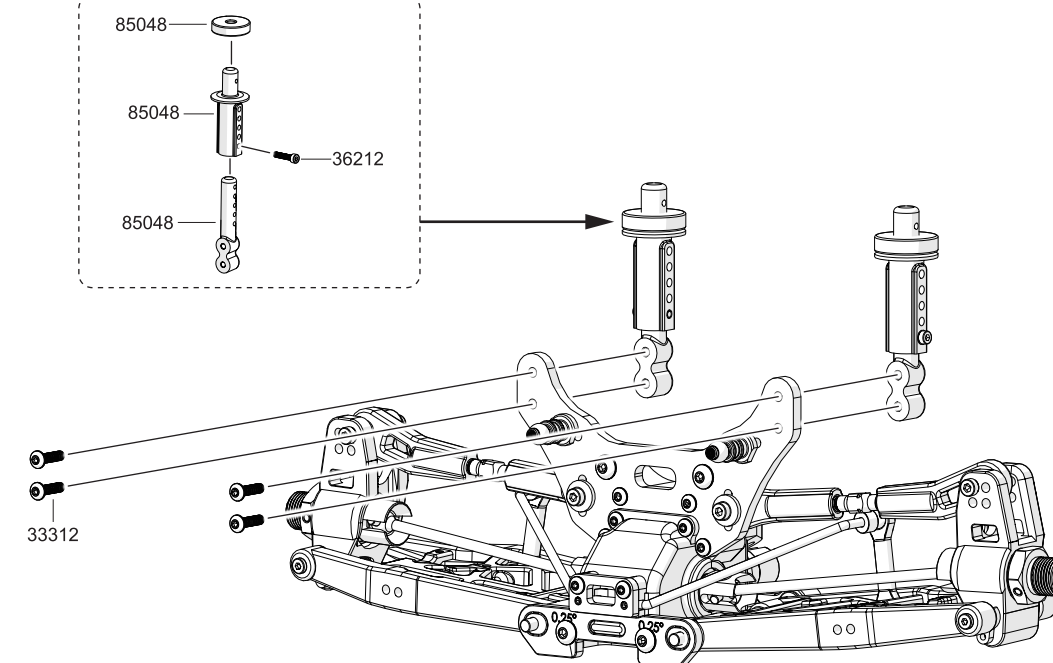
33310
M3x10 x2
B/H Screw

38304
M3x4 x2
Set Screw

**18****Rear Body Mount Assembly**

36212
M2.6x12 x2
Cap Screw

33312
M3x12 x4
B/H Screw

**19****Front / Rear Shock Absorber Assembly****x4**

90030
M2.6 Nut x4

90030
3.1x7x0.25mm x4
Washer

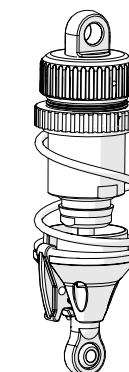
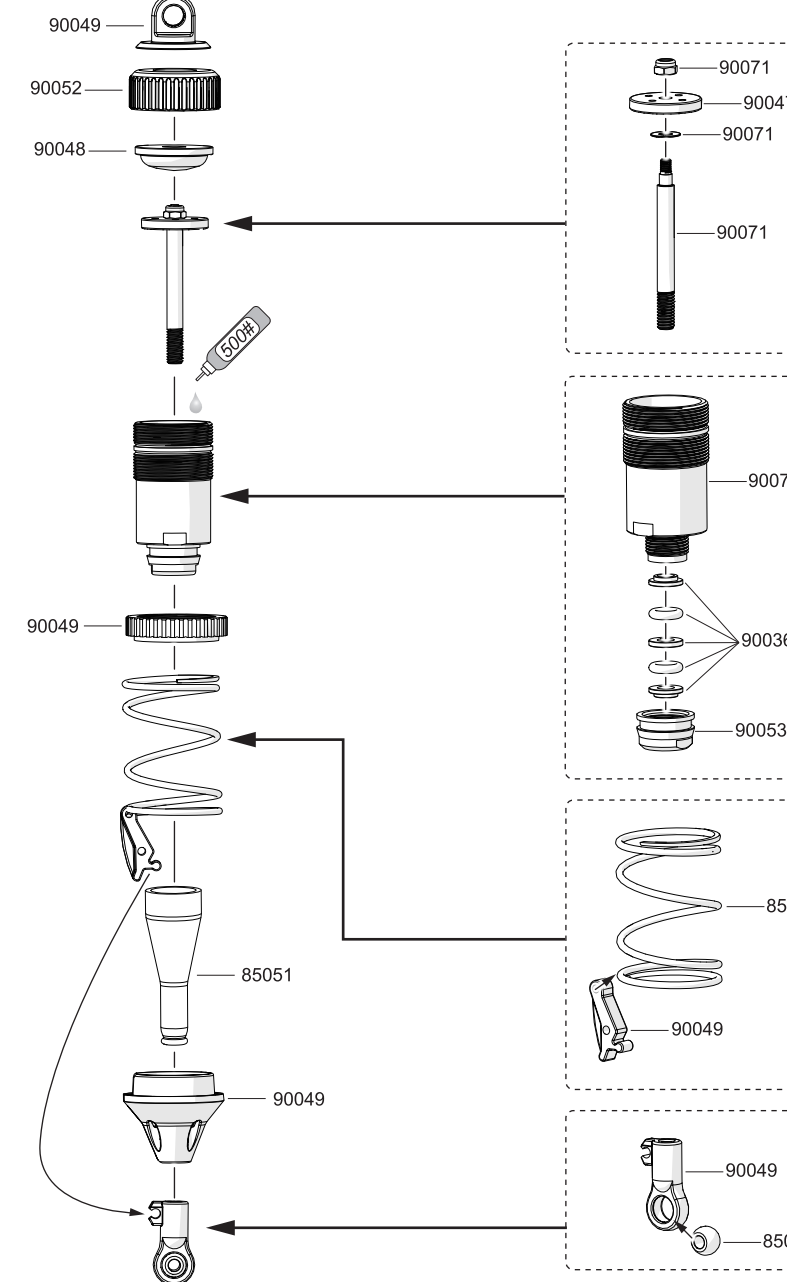
90036
O-Ring Shield

90036
4x8mm x8
O-Ring

90036
4.05x7.98x1.2mm x4
Washer

85091
6.8mm x4
Ball

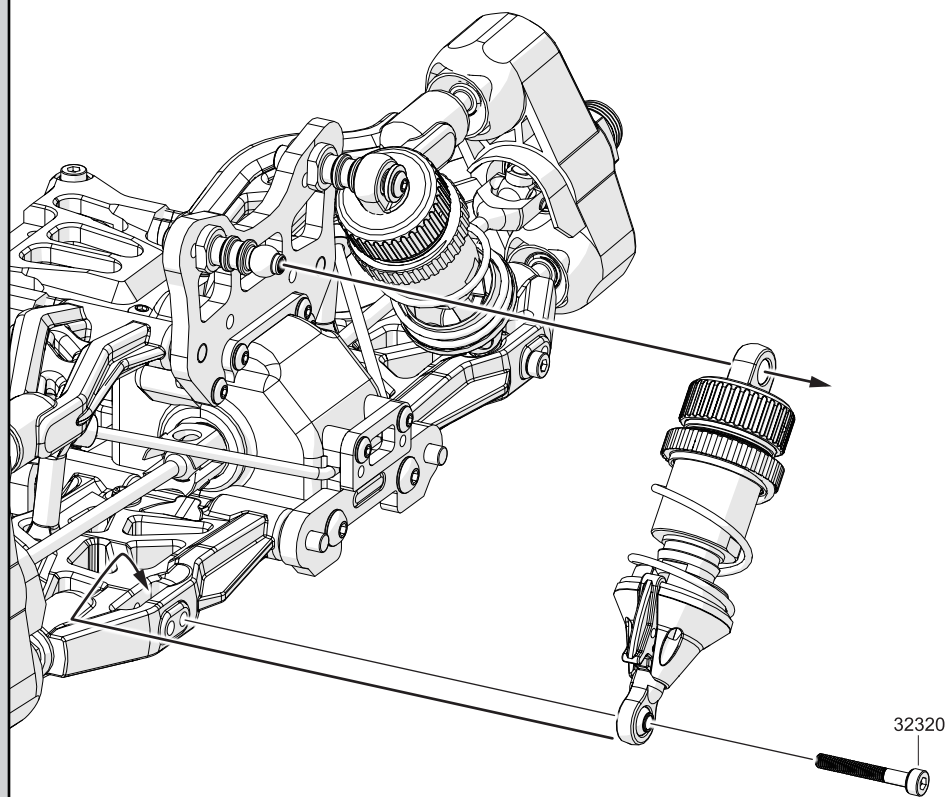
90047
3x17x2.4mm

**Shock Set
No. 90082****F**
R**L**
R

20

Front Shock Assembly

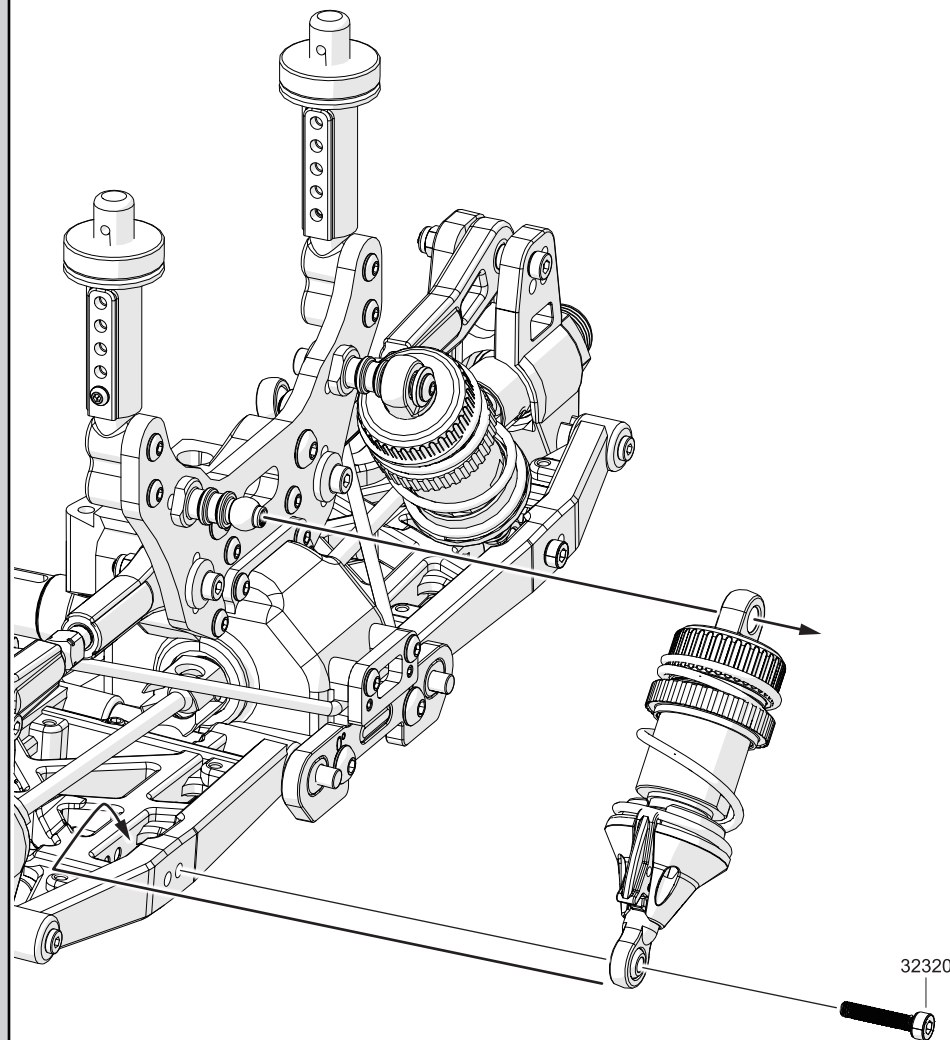
32320
M3x20 x2
Cap Screw



21

Rear Shock Assembly

32320
M3x20 x2
Cap Screw



22

Front Clip With Bumper Assembly

36212
M2.6x12 x2
Cap Screw

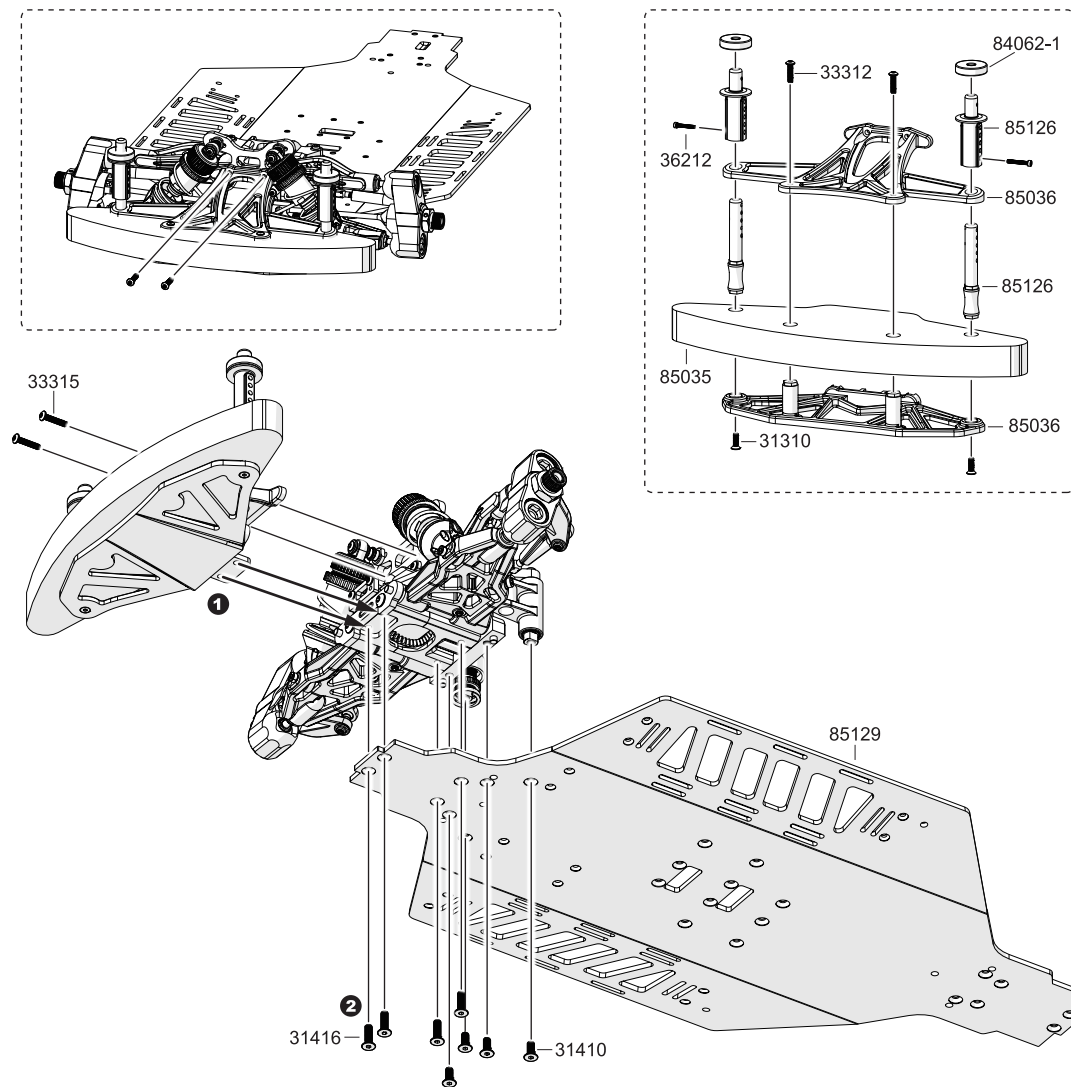
33312
M3x12 x2
B/H Screw

33315
M3x15 x2
B/H Screw

31310
M3x10 x2
F/H Screw

31416
M4x14 x4
F/H Screw

31410
M4x10 x4
F/H Screw

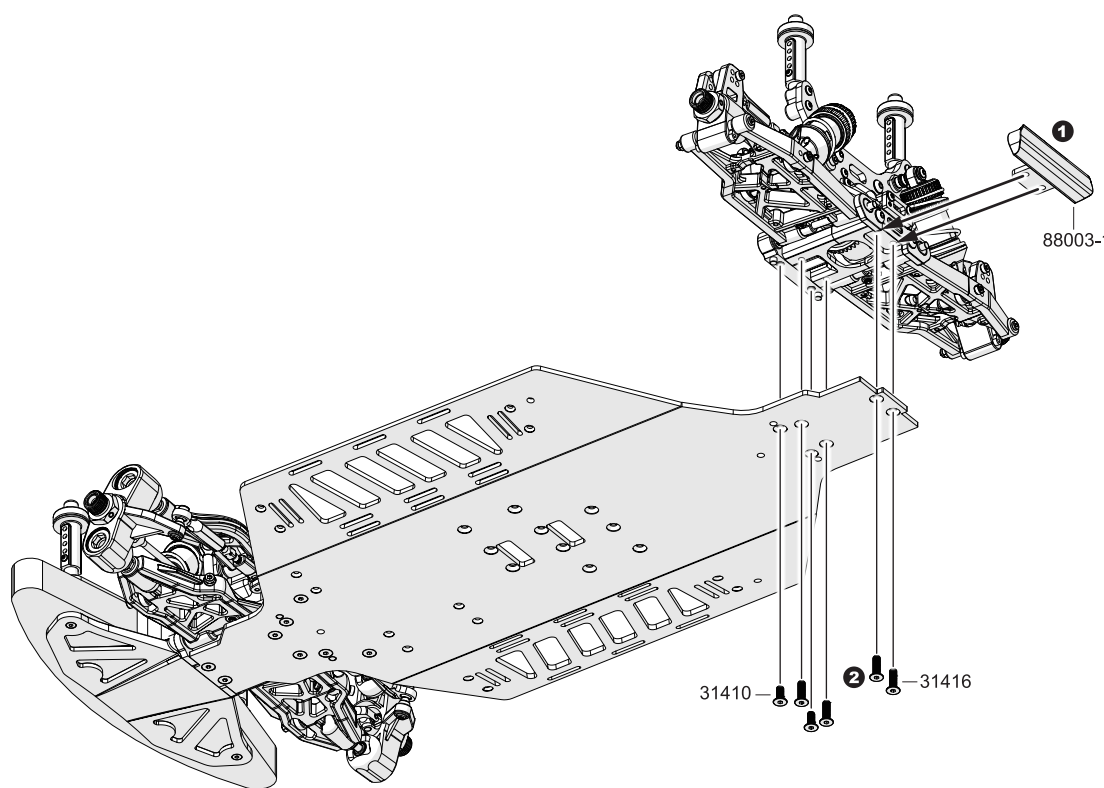


23

Rear Clip With Bumper Assembly

31416
M4x14 x2
F/H Screw

31410
M4x10 x4
F/H Screw



24



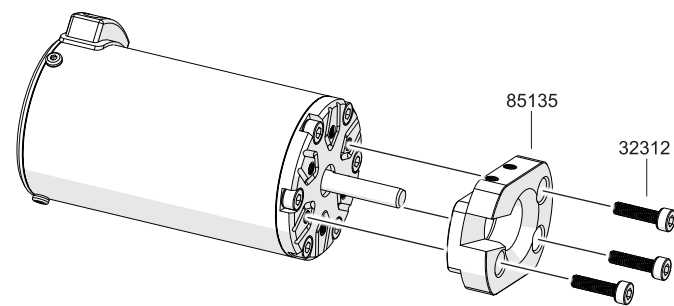
32312
M3x12 x3
Cap Screw



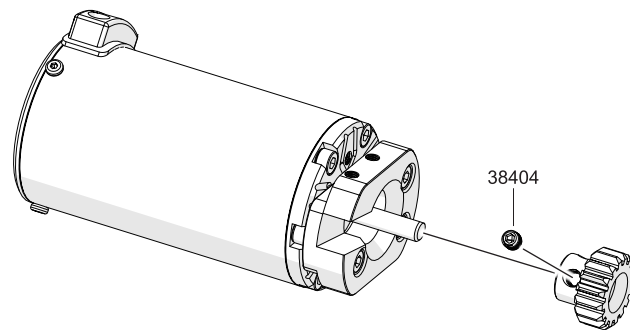
38404
M4x4 x1
Set Screw

Motor Assembly

STEP 1



STEP 2



25



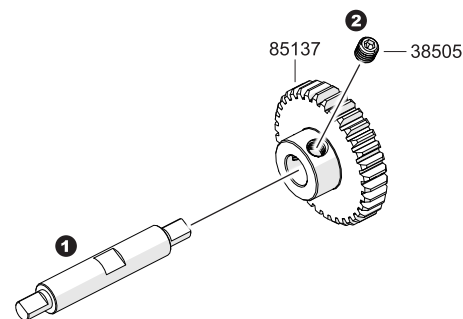
38505
M5x5 x3
Set Screw



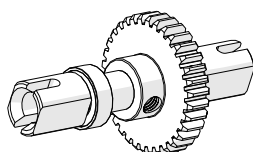
33306
M3x6 x1
B/H Screw

Center Spool Set Assembly

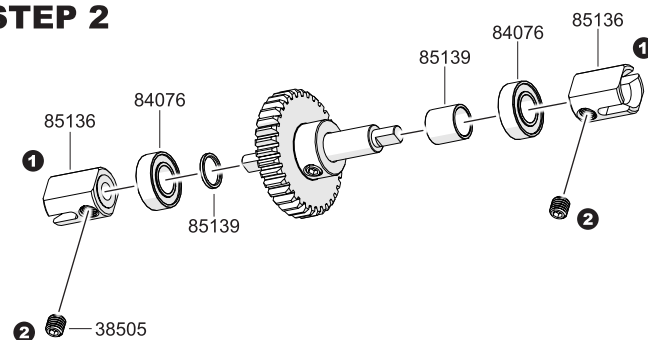
STEP 1



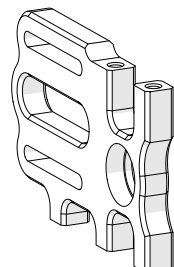
NO. 85138



STEP 2

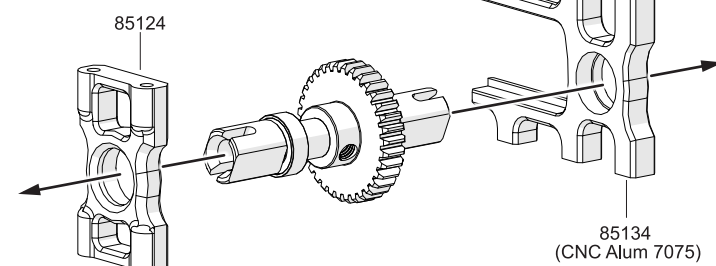


OPTIONAL PARTS
NO. OP-0141



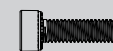
CNC Alum 7075
Motor Mount For 1/5 Motor

STEP 3



85134
(CNC Alum 7075)

26

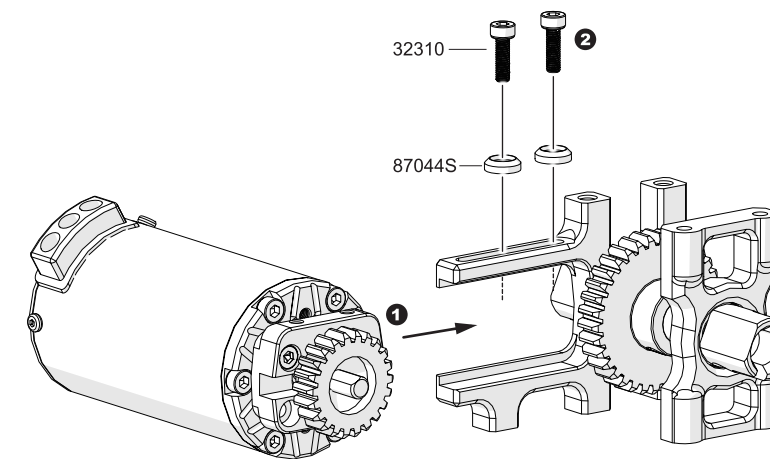


32310
M3x10 x2
Cap Screw

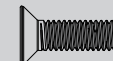


87044S x2
Alum Collar

Center Spool Set And CNC Alum Motor Mount Assembly

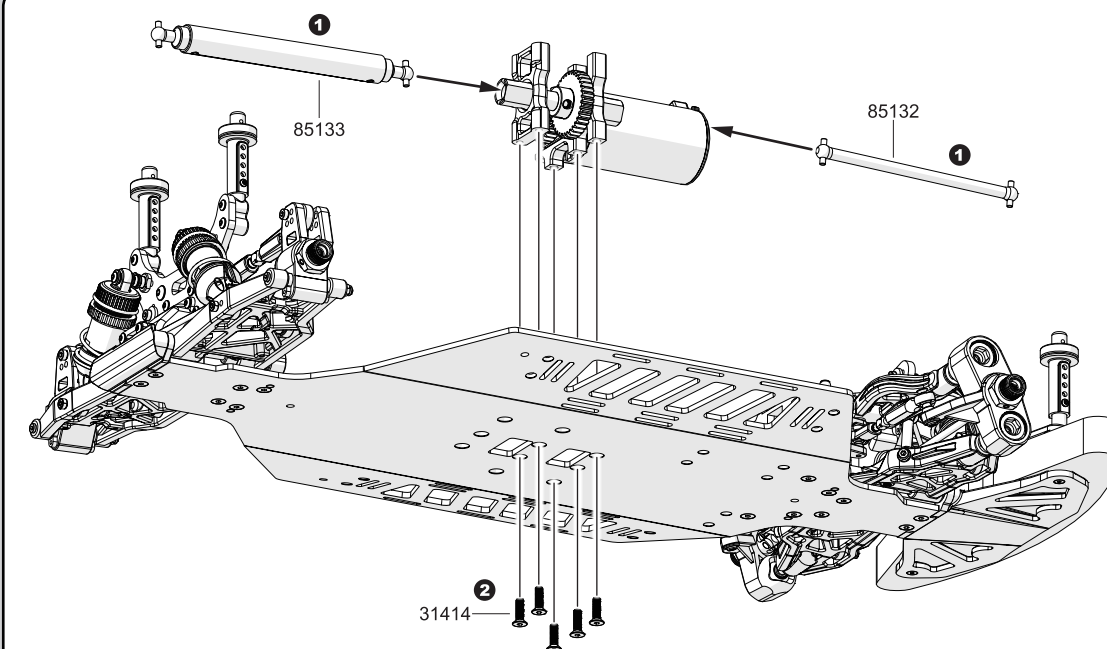


27



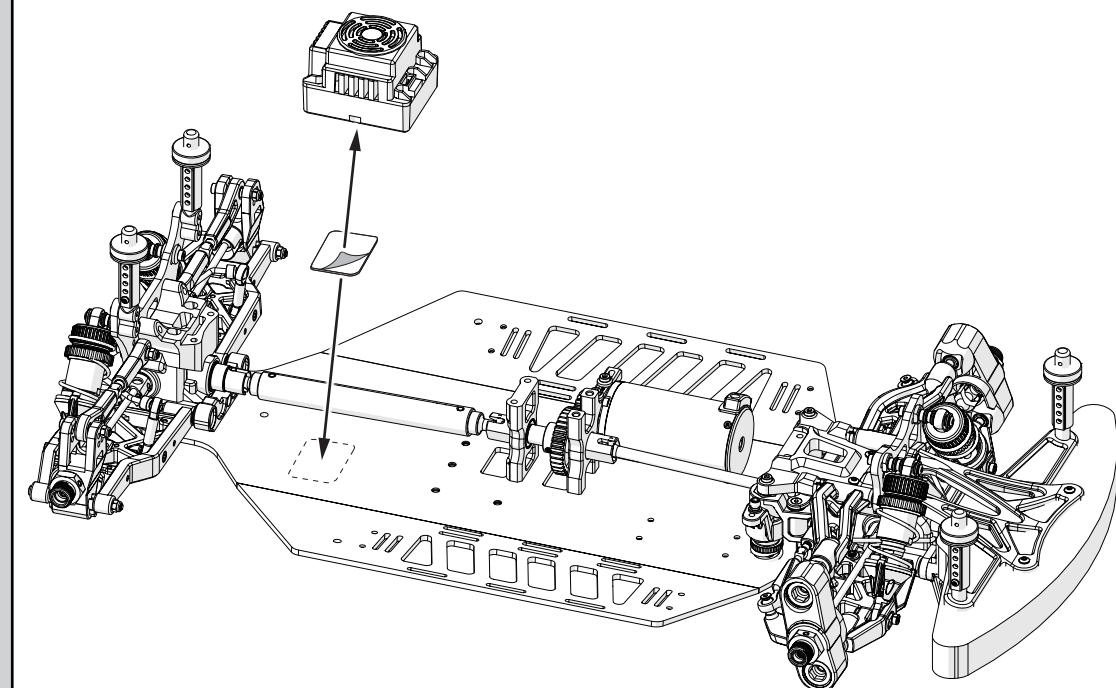
31414
M4x14 x6
F/H Screw

Center Drive Shaft And Motor Unit Assembly



28

Electric Speed Controller Assembly



29



33308
M3x8 x2
B/H Screw



33310
M3x10 x6
B/H Screw



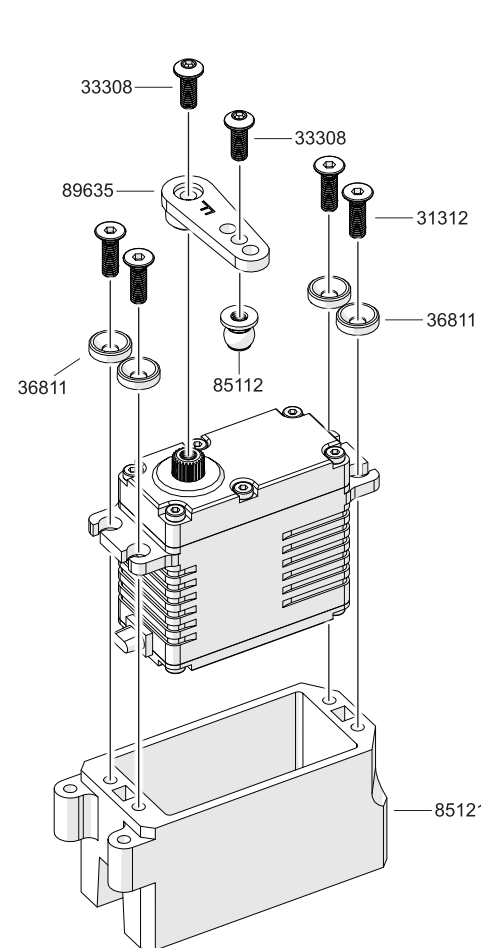
31312
M3x12 x4
F/H Screw



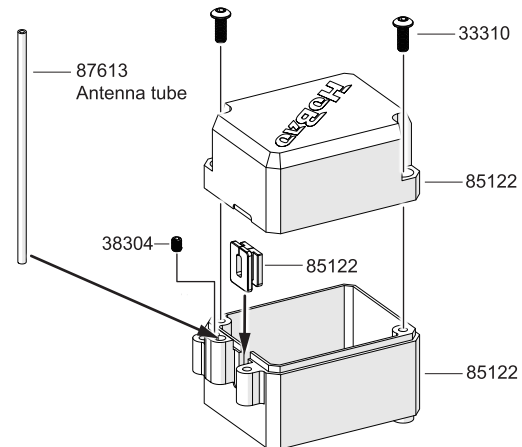
38304
M3x4 x1
Set Screw

Receive Box And Steering Servo Assembly 1

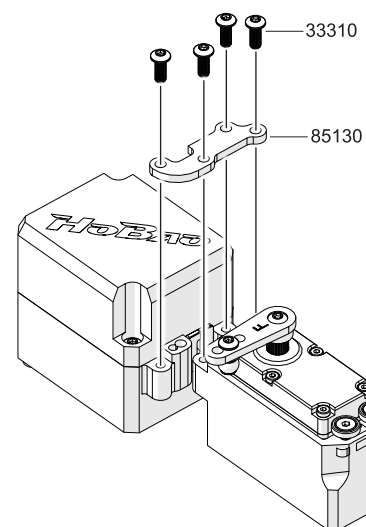
STEP 1



STEP 2



STEP 3

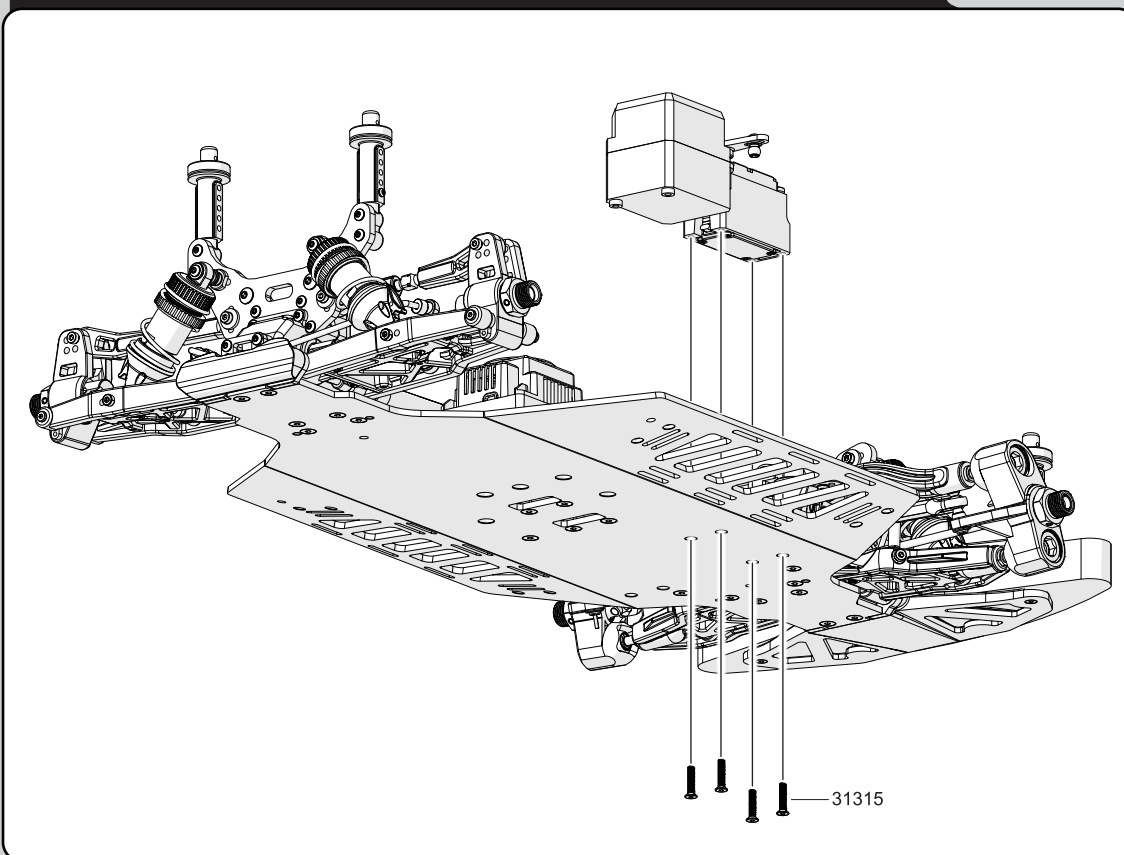


30



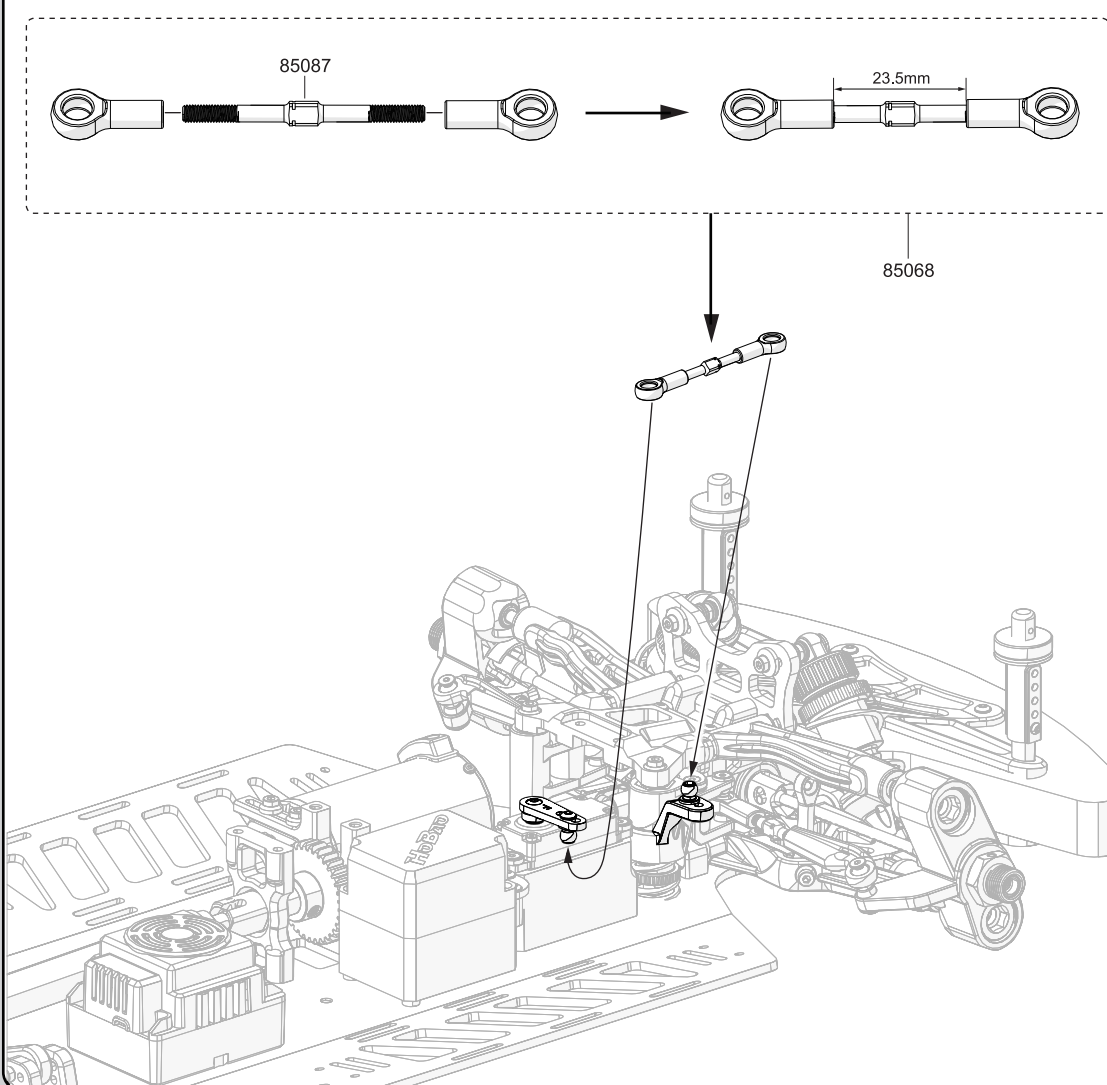
31315
M3x15 x4
F/H Screw

Receive Box And Steering Servo Assembly 2

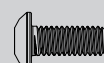


31

Steering Servo Linkage Assembly

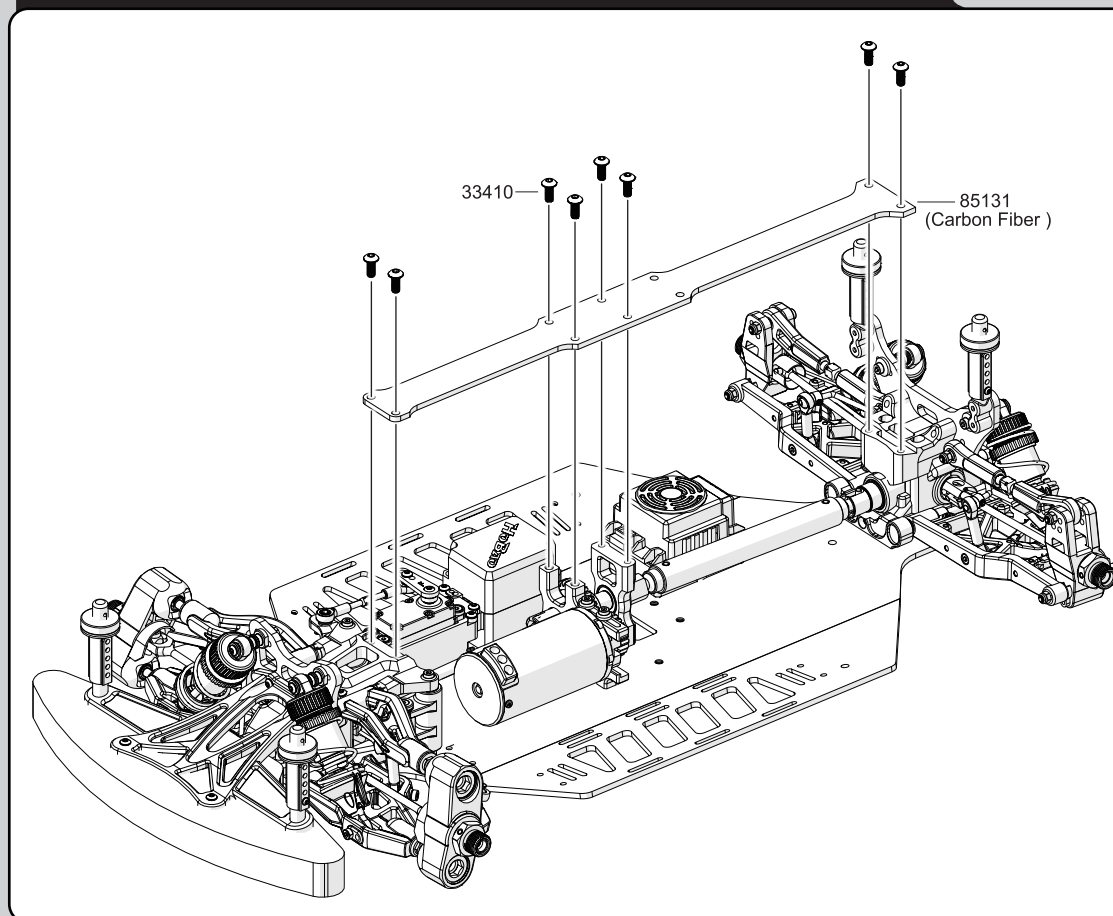


32



33410
M4x10 x8
B/H Screw

Carbon Fiber Top Brace Assembly

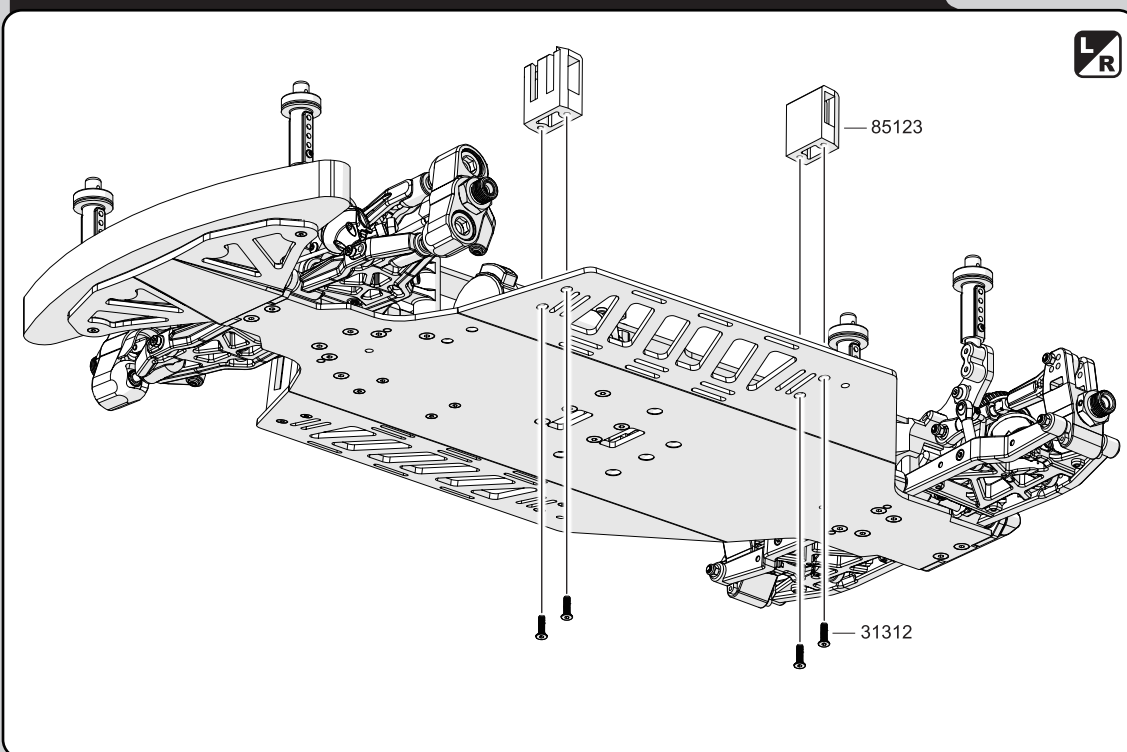


33



31312
M3x12 x2
F/H Screw

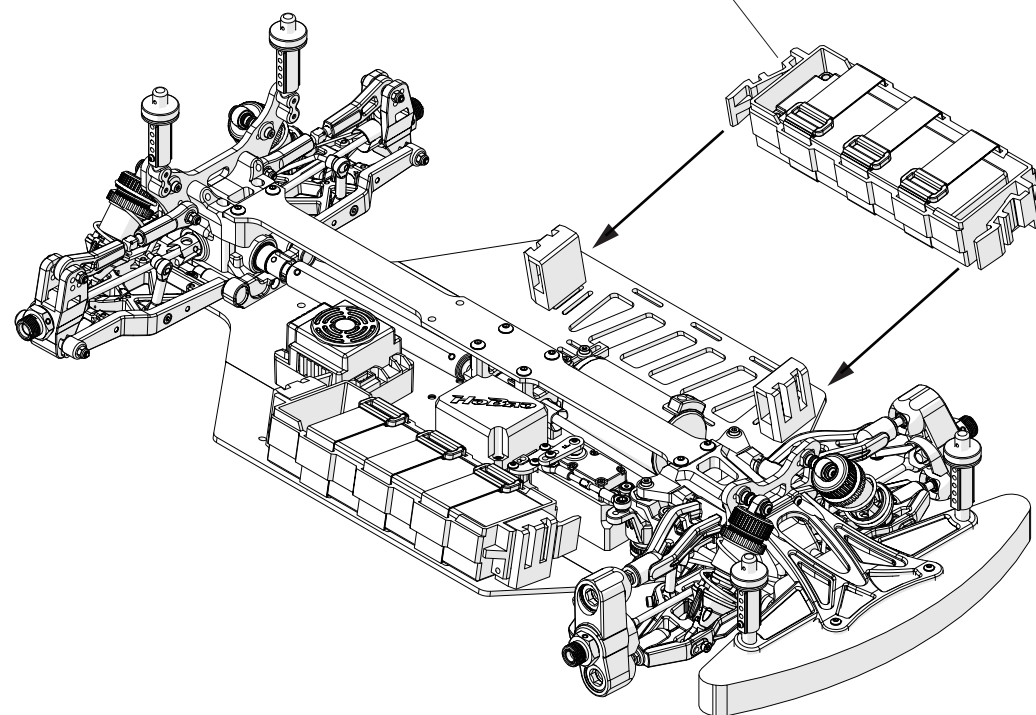
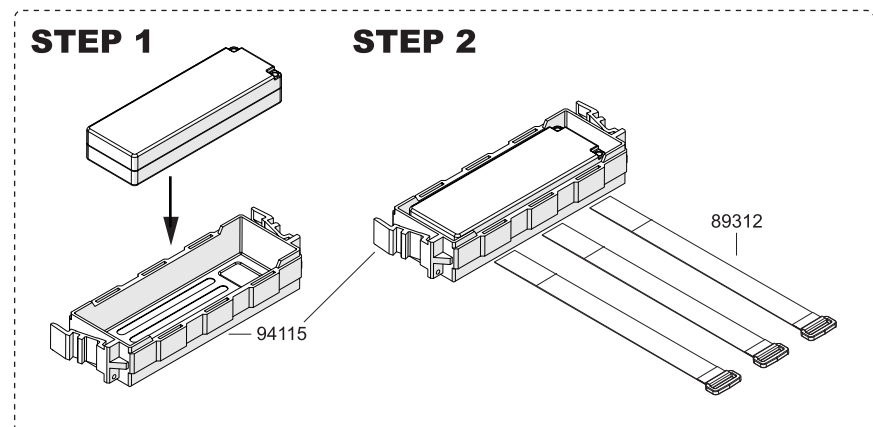
Quick Release Battery Tray Mount Assembly



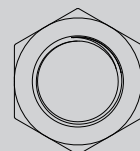
34

Battery Tray Unit Assembly

x2



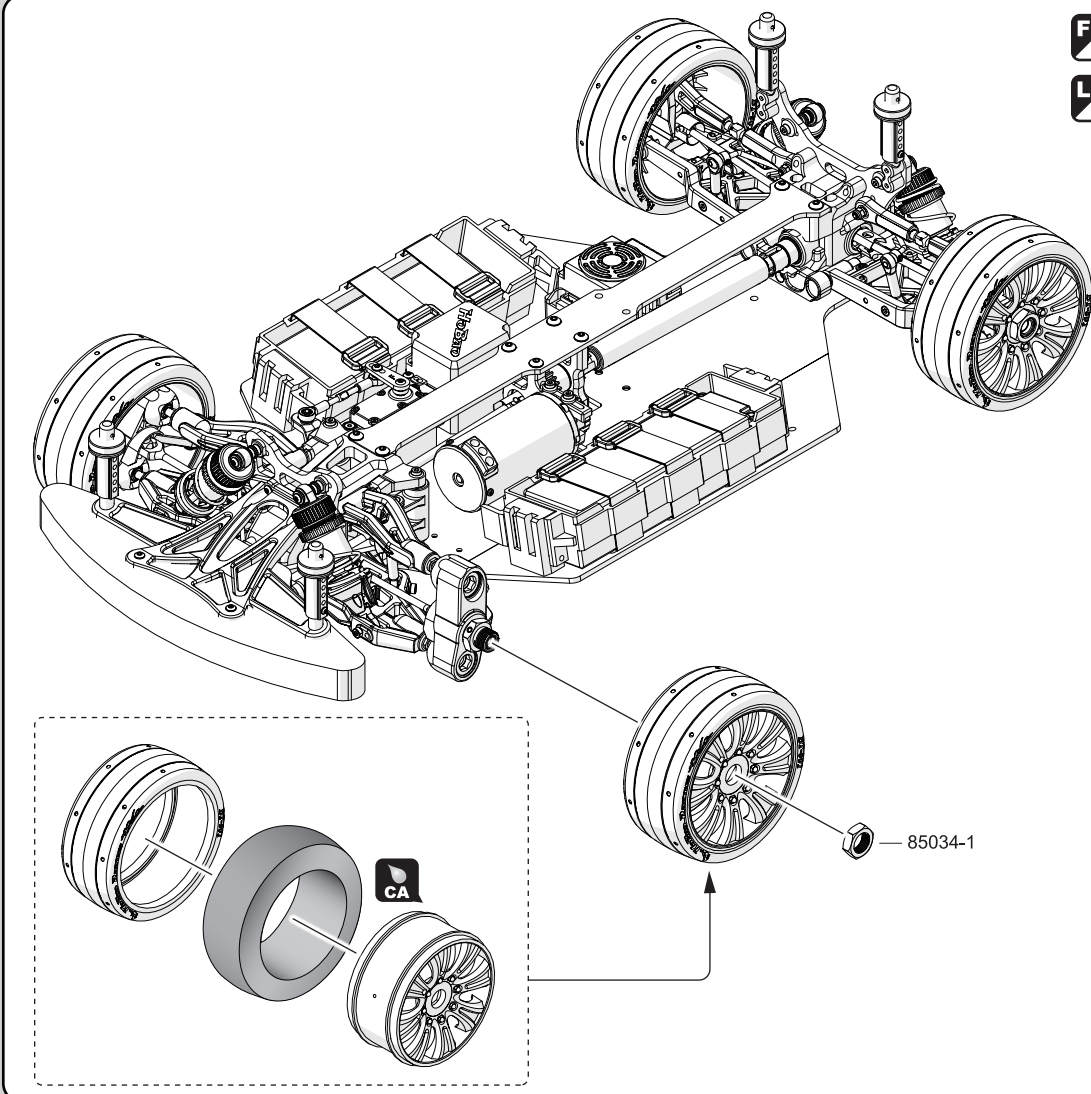
35



85034
Wheel Hex Nut x4

Tire Assembly

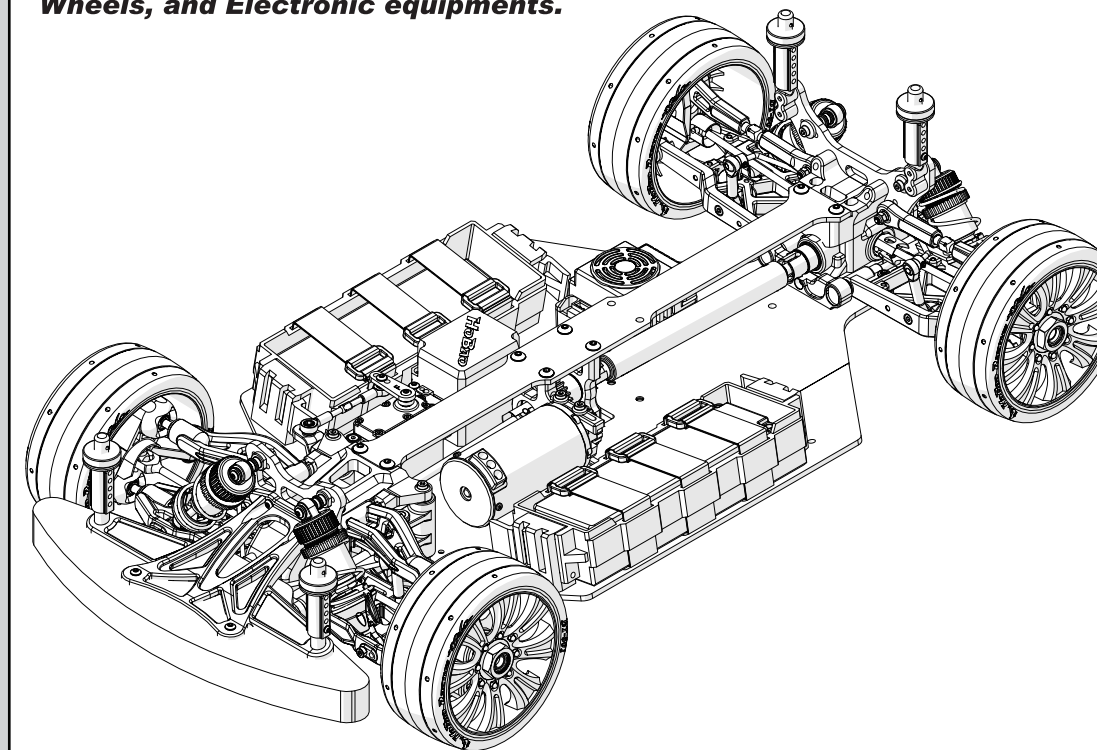
x4



36

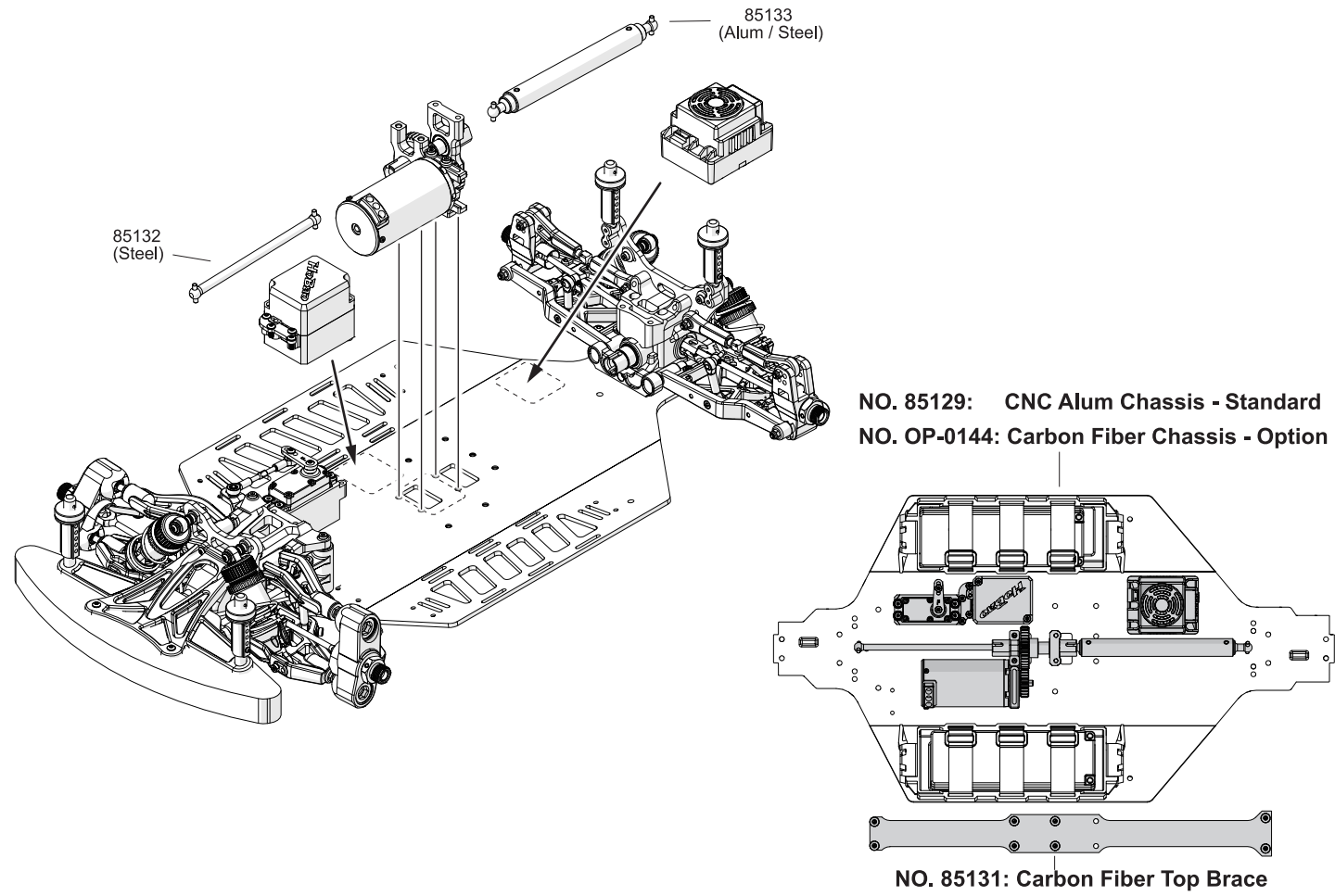
Assembled

This product contain no Body, Tires, Wheels, and Electronic equipments.

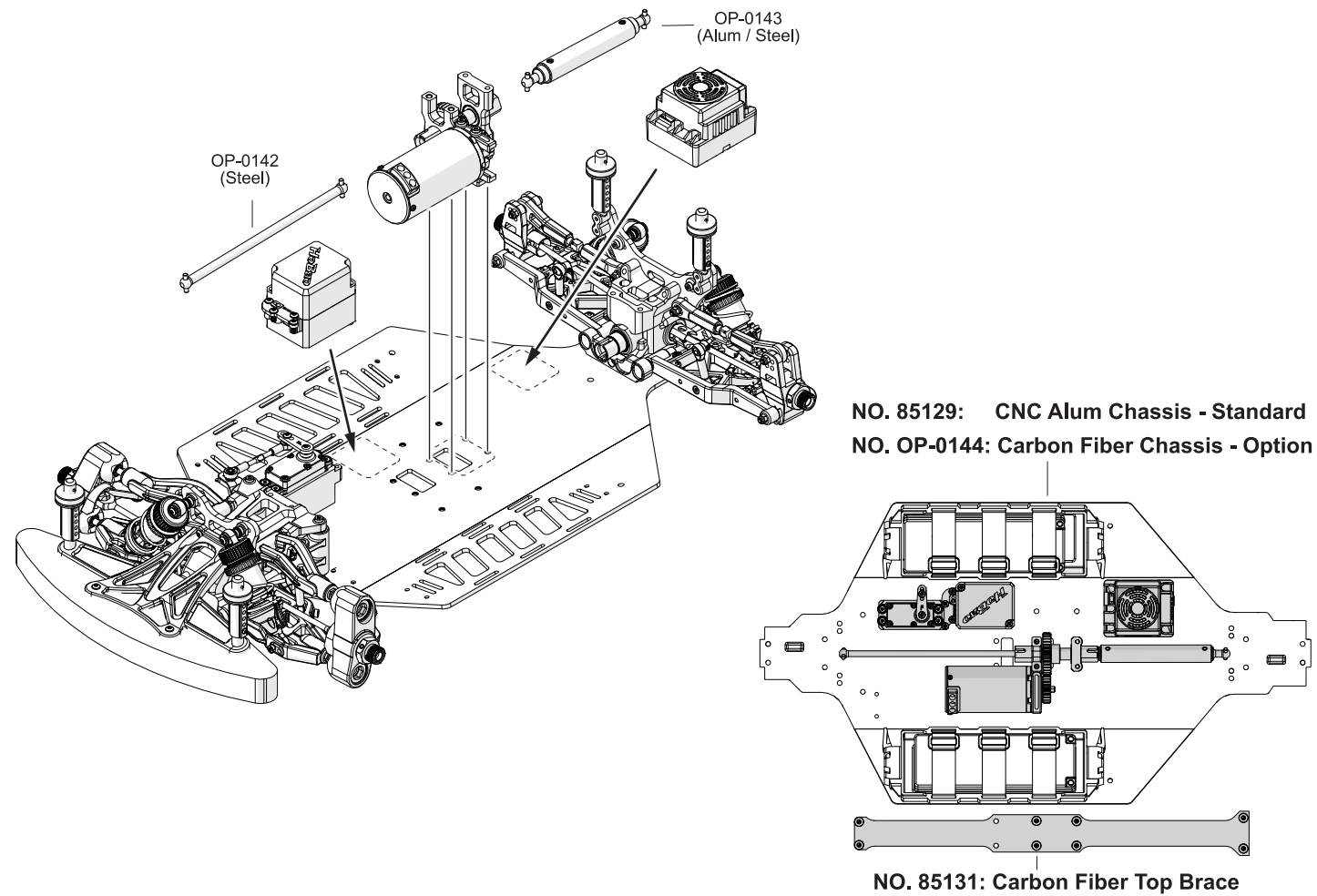


Weight Distribution Adjustment

***** Weight Distribution Forward**

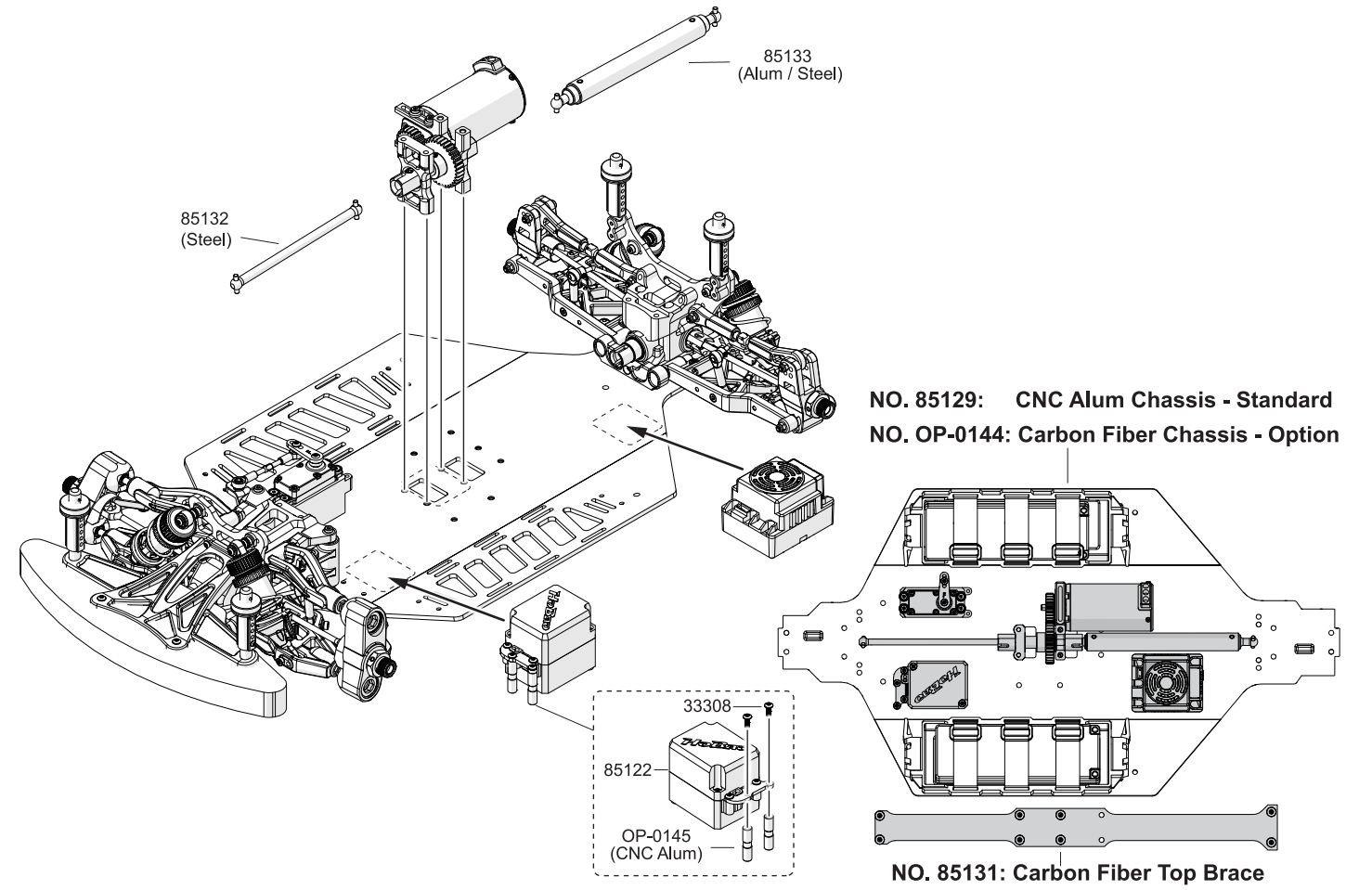


***** Weight Distribution Backward**

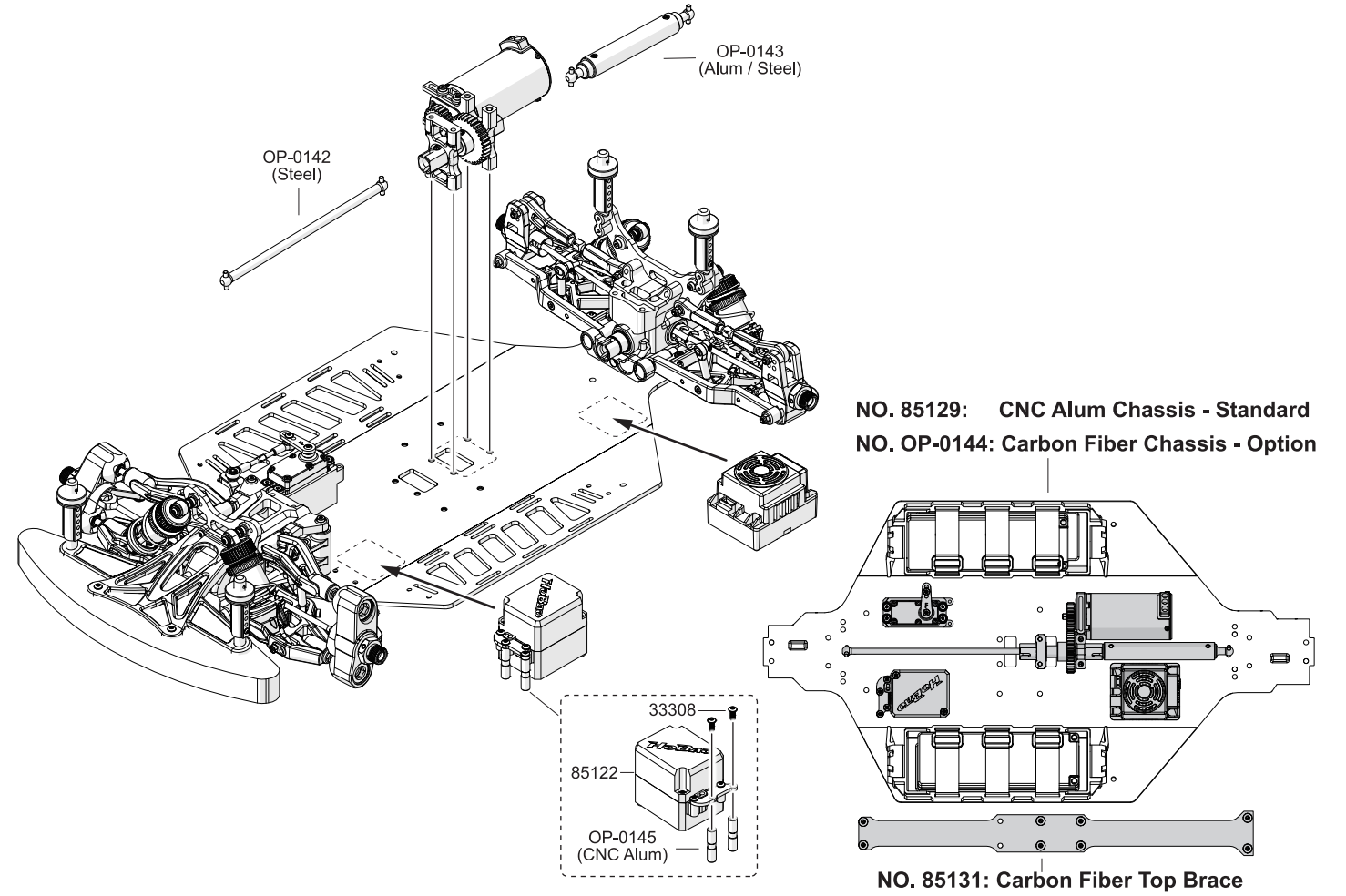


Weight Distribution Adjustment

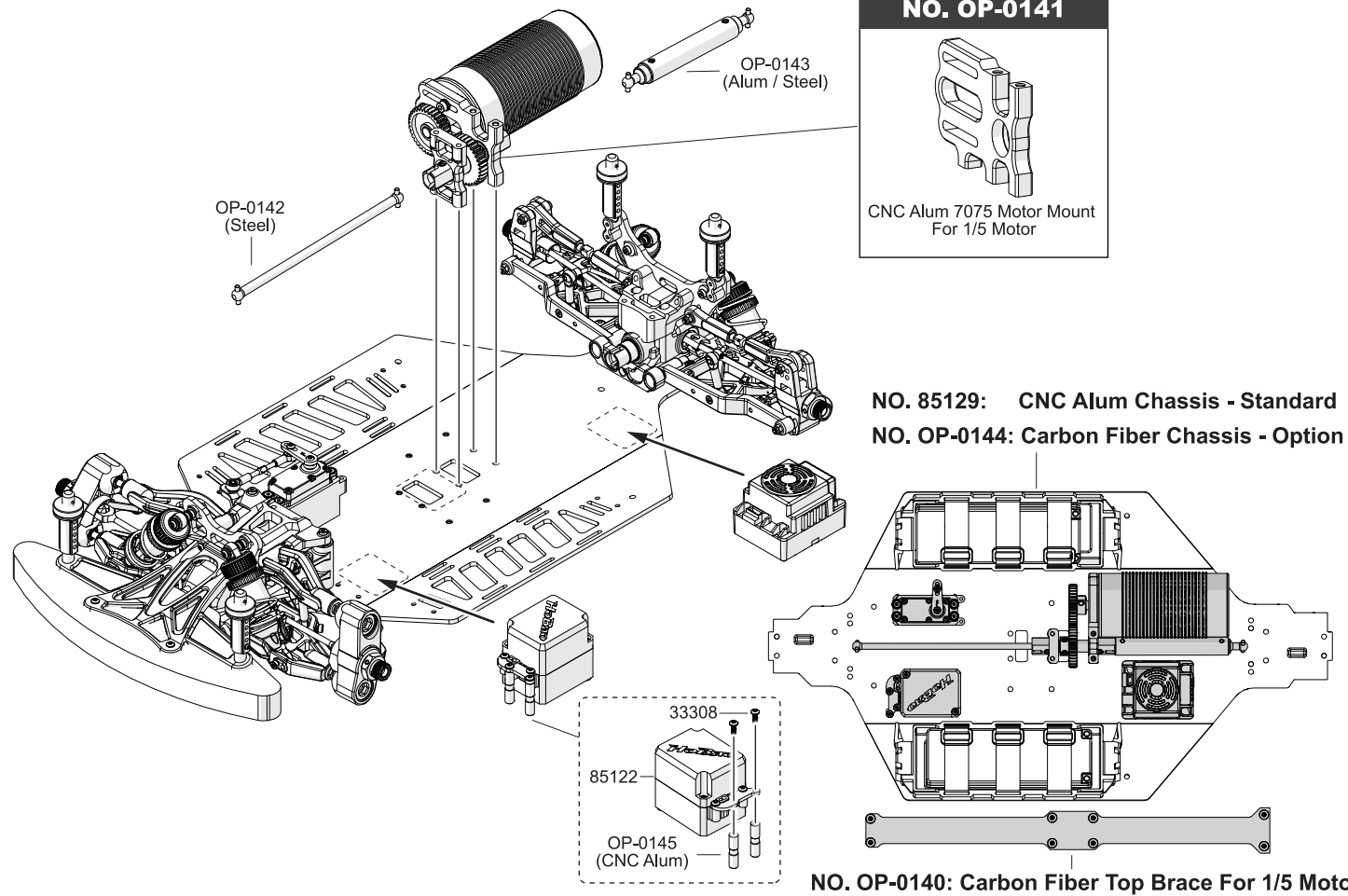
***** Motor Backward / Weight Distribution Forward**



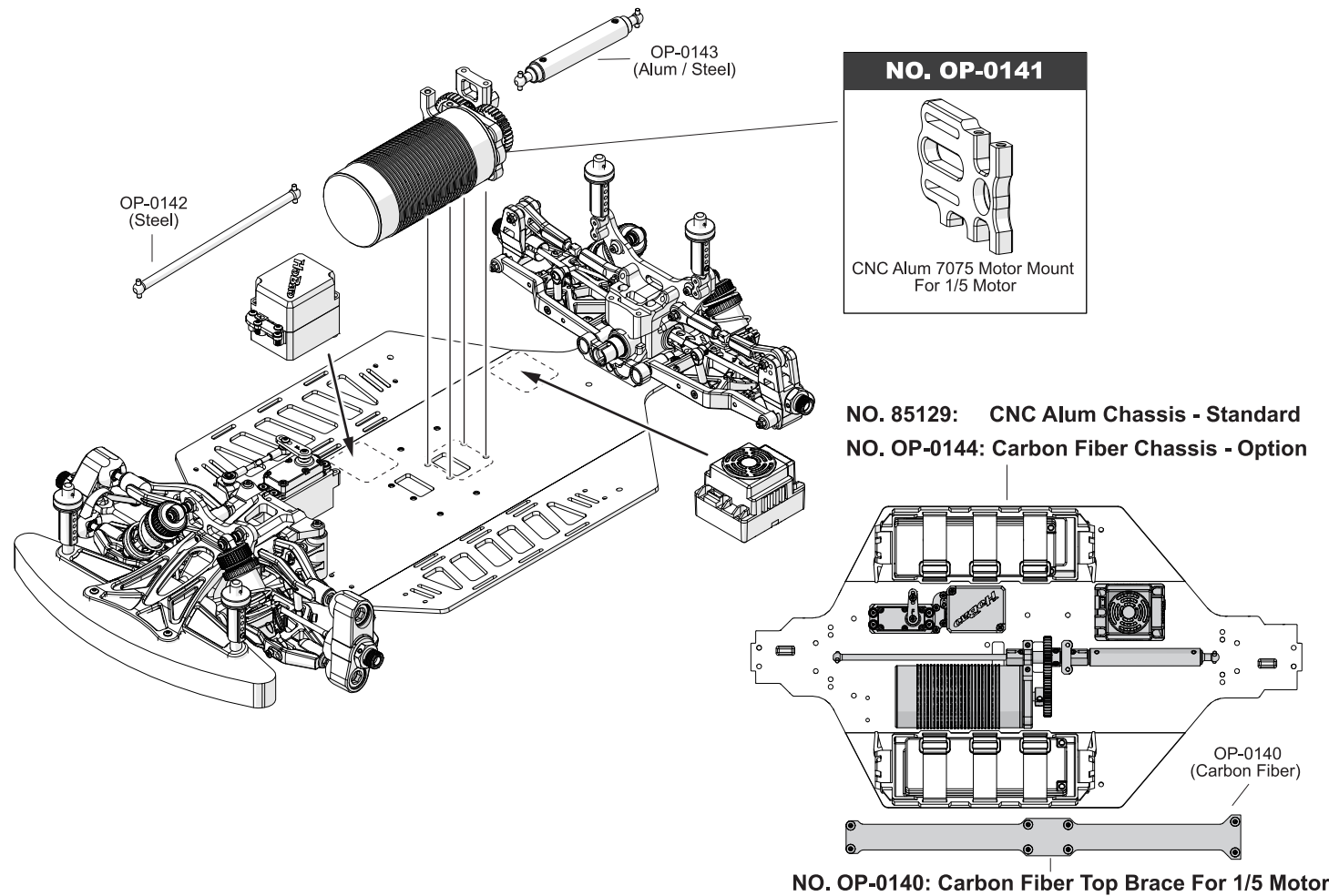
***** Motor Backward / Weight Distribution Backward**



*** Motor Forward | Weight Distribution Forward



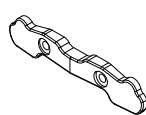
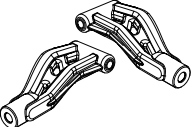
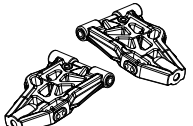
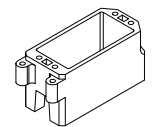
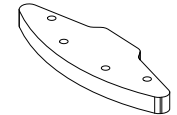
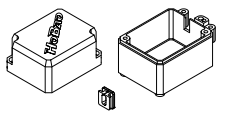
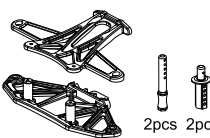
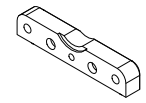
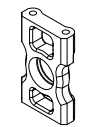
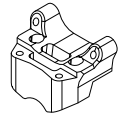
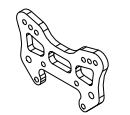
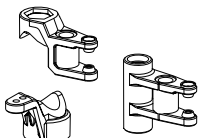
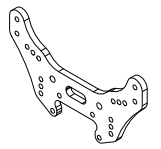

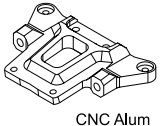
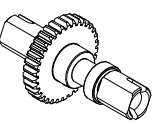
*** Motor Backward | Weight Distribution Backward



STANDARD PARTS		SCREW			
36101	O-RING 5.8x1.9MM	85128	1/7 VTE2 CNC ALUM FRONT TOP PLATE	OP-0115	VS CNC ALUM REAR LOWER ARM HOLDER - RF
39057	PIN 2.5x10.8MM	85129	1/7 VTE2 CNC ALUM CHASSIS	31310	M3x10 FLAT HEAD SCREW
84062-1	BODY FOAM SPACER	85130	CNC ALUM FIXED PLATE FOR RECEIVE BOX	31312	M3x12 FLAT HEAD SCREW
84076	BEARING 8x16x5MM	85131	CARBON FIBER TOP BRACE	31315	M3x15 FLAT HEAD SCREW
84078	BEARING 6x10x3MM	85132	CENTER FRONT DOG BONE - 6 X 114MM	31320	M3x20 FLAT HEAD SCREW
85002	REAR LOWER ARM SET	85133	CENTER REAR DRIVE SHAFT- 154MM (STEEL/ ALUM)	31410	M4x10 FLAT HEAD SCREW
85011	PIN 4x43.5MM	85134	CNC ALUM 7075 SLIDING MOTOR MOUNT SET	31416	M4x16 FLAT HEAD SCREW
85022	STEERING KNUCKLE ARM	85135	CNC ALUM 7075 SLIDER	32310	M3x10 CAP HEAD SCREW
85026	ADJUSTABLE ARM INSERT	85136	SPOOL CUP, 2PCS (HEAVY DUTY)	32312	M3x12 CAP HEAD SCREW
85029	ARM SPACER	85137	MOTOR GEAR 34T- 1M/ 8MM	32314	M3x14 CAP HEAD SCREW
85031	FRONT UPPER ARM HOLDER	85138	CENTER SPOOL SET W/ 34T STEEL SPUR GEAR	32320	M3x20 CAP HEAD SCREW
85034	WHEEL HUB SET 1.0MM	85139	CNC ALUM SPOOL SPACER SET	32325	M3x25 CAP HEAD SCREW
85035	VT FRONT BUMPER FOAM	85140	SHOCK SPRING- HARD/ ORANGE, 2PCS	33306	M3x6 BUTTON HEAD SCREW
85036	VT FRONT BUMPER SET WITH BODY POST	87005-2	SPACER 6.1x13.9x0.15MM	33308	M3x8 BUTTON HEAD SCREW
85044	VT CNC ALUM FRONT LOWER ARM HOLDER FOR FR	87021	OUTDRIVE CUP	33310	M3x10 BUTTON HEAD SCREW
85048	VT REAR BODY POST	87027-1	PIN 2.5x16.8MM	33312	M3x12 BUTTON HEAD SCREW
85049	VT CNC ALUM FRONT SHOCK TOWER	87028	DIFFERENTIAL PINION GEAR 13T	33315	M3x15 BUTTON HEAD SCREW
85050	VT CNC ALUM REAR SHOCK TOWER	87037	AXLE CUP	33410	M4x10 BUTTON HEAD SCREW
85051	SHOCK BOOTS, 4 PCS	87044S	ALUM COLLAR 3x10MM	33412	M4x12 BUTTON HEAD SCREW
85067	LIGHTWEIGHT DIFFERENTIAL OUTDRIVE CUP	87206	PIVOT BALL FRONT STEERING HUBS	36212	M2.6x12 CAP HEAD SCREW
85068	ALUM 7075 SERVO LINKAGE SET FOR STEERING	87208	PIVOT BALL PLASTIC BALL WASHERS/SPACERS	38303	M3x3 SET SCREW
85069	FRONT SWAY BAR SET	87209	PIVOT BALL NUTS	38304	M3x4 SET SCREW
85070	REAR SWAY BAR SET	87354	FRONT UNIVERSAL JOINT DRIVESHAFTS	38404	M4x4 SET SCREW
85078	ADJUSTABLE ARM RETAINER CLIP	87375	BODY CLIPS	38410	M4x10 SET SCREW
85082	WASHER FOR SERVO SAVER	87613	ANTIENNA TUBE, 6 PCS	38504	M5x4 SET SCREW
85087	ALUM 7075 TURNBUCKLE 3X43MM	88001	GEAR BOX	38505	M5x5 SET SCREW
85088	ALUM 7075 TURNBUCKLE 4X40MM	88002	HEX SCREW 4x47MM	39008	M3 NYLON NUT
85089	ALUM 7075 TURNBUCKLE 5X50MM	88003-1	REAR BUMPER		
85090	ALUM 7075 SHOCK BALLS - 6.8MM	88004	FRONT LOWER ARMS HOLDER		
85091	ALUM 7075 BALLS - 6.8MM	88013	ARM SHAFT 4x73MM		
85092	ALUM 7075 FLANGED BALLS - 6.8MM	88029	REAR HUB SET	OP-0009	REAR UNIVERSAL DRIVE SHAFT
85093	ALUM 7075 FLANGED BALLS - 6.8MM	88030	REAR UPPER ARM PLASTIC ROD END	OP-0110	VS FRONT SWAY BARS SET - 2.3MM, 2.8MM & 3MM
85094	ALUM 7075 FLANGED BALLS - 7.8MM	88039	STABILIZER BALL	OP-0111	VS REAR SWAY BARS SET - 2.3MM, 2.5MM & 3MM
85110	NEW DIFFERENTIAL CASE SET	89312	MAGIC STRIP	OP-0116	VS CNC REAR LOWER SUSPENSION ARMS HOLDER
85111	NEW CROWN GEAR 43T FOR # 85110	89604	STEERING PIVOT BALL SET	OP-0117	VS CNC ALUM REAR LOWER ARM HOLDER 0.5 DEG. - RR.
85112	ALUM 7075 FLANGED BALLS - 5.8MM	89635	FUTABA SERVO HORN (25T)	OP-0118	VS CNC ALUM REAR LOWER ARM HOLDER 0.75 DEG. - RR.
85113	NEW SERVO SAVER ARM	90010	REAR AXLE, 2 PCS	OP-0139	STEEL BEVEL GEARS SET
85114	CNC ALUM 7075 STEERING RACK SET	90028	SCREW 3x50MM	OP-0140	CARBON FIBER TOP BEACE FOR 1/5 MOTOR
85115	SERVO SAVER POST SET	90036	SHOCK ABSORBER REPAIR SET	OP-0141	CNC ALUM 7075 MOTOR MOUNT FOR 1/5 MOTOR
85116	FRONT UPPER ARM	90047	SHOCK PISTON	OP-0142	CENTER DOG BONE 6 X 149MM
85117	FRONT LOWER ARM	90048	SHOCK BLADDER	OP-0143	CENTER DOG BONE - 119 MM (STEEL/ALUMINUM)
85121	1/7 VTE2 SERVO MOUNT	90049	SHOCK NYLON SET	OP-0144	1/7 VTE2 CARBON FIBER CHASSIS
85122	LARGE CAPACITY RECEIVER BOX	90052	SHOCK CAP TOP	OP-0145	CNC ALUM RECEIVER BOX POST, 2PCS
85123	QUICK RELEASE BATTERY TRAY MOUNT, 4PCS	90053	SHOCK CAP BOTTOM	OP-0146	DIFFERENTIAL CROWN GEAR 40T FOR 15T PINION
85124	CENTER SPOOL MOUNT-PLASTIC (HEIGHT +5MM)	90071	FRONT SHOCK SHAFT	OP-0147	DIFFERENTIAL PINION GEAR 15T FOR 40T CROWN
85125	REAR TOP BRACE MOUNT	90079	FRONT SHOCK BODY	36811	CNC ALUM 3MM WASHER, 10PCS
85126	FRONT BODY POST	90082	FRONT / REAR SHOCK ABSORBER SET	89147	CNC ALUM REAR WHEEL HUB
85127	CNC ALUM 7075 RR SUSPENSION MOUNT (0°)	94115	LARGE CAPACITY BATTERY TRAY	94018	WHEEL HEX HUB & ANTI-LOOSE-NUT
		94117	NEW BEVEL GEAR SET	94071	WHEEL HEX HUB 1.0MM

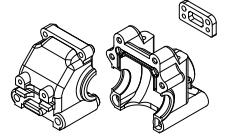
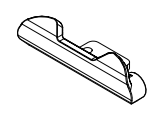
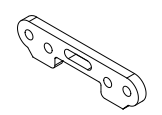
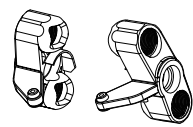
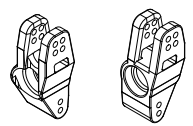
Extreme VTE 2

PARTS LIST

36101 5.8x1.9mm O-ring 10pcs	85031 	85067 2pcs 2.5x13.8mm Pin 2pcs	85091 6.8mm Alum 7075 4pcs	85116 	85129 CNC Alum
39057 2.5x10.8mm 2pcs	85034 M5x5 Set Screw 2pcs 2.5x16.8mm 2pcs	85068 3x43mm Alum 7075 Alum 2pcs	85092 6.8mm Alum 7075 4pcs	85117 	85130 CNC Alum
84062-1 10pcs	85034-1 2pcs	85069 2pcs Alum M3x3 Set Screw 2pcs 2pcs Alum Alum	85093 6.8mm Alum 7075 4pcs	85121 	85131 Carbon Fiber
84076 8x16x5mm 4pcs	85035 	85070 2pcs Alum M3x3 Set Screw 2pcs 2pcs Alum Alum	85094 7.8mm Alum 7075 4pcs	85122 	85132 6x114mm Dogbone
84078 6x10x3mm 4pcs	85036 	85078 2pcs 4pcs	85110 5.8x1.9x2mm O-ring 2pcs M4x4 Set Screw	85123 4pcs	85133 Alum/Steel 154mm Dogbone
85002 Rear 2pcs	85044 	85082 2pcs	85111 M3x15 4pcs 43T	85124 	85134 CNC Alum 7075 M3x10 2pcs
85011 4x43.5mm Pin 2pcs	85048 2pcs 2pcs 4pcs	85087 3x43mm Alum 7075	85112 5.8mm Alum 7075 4pcs	85125 	85135 CNC Alum 7075
85022 2pcs 2pcs	85049 	85088 4x40mm Alum 7075 2pcs	85113 	85126 2pcs 2pcs	85136 2pcs
85026 2pcs 2pcs 2pcs 2pcs	85050 	85089 5x50mm Alum 7075 2pcs	85114 CNC Alum 7075 2pcs 2pcs	85127 	85137 CNC Alum 7075
85029 Φ3x2.5mm 4pcs	85051 4pcs	85090 6.8mm Alum 7075 4pcs	85115 2pcs	85128 	85138 

Extreme VTE 2

PARTS LIST

OPTIONAL PARTS					
85139 CNC Alum 7075	87209 4pcs	88030 4pcs 4pcs	90049 4pcs 4pcs 4pcs	OP-0009 2pcs	OP-0144 Carbon Fiber
85140 2pcs	87354 2pcs	88039 4pcs	90052 2pcs	OP-0110 2.3mm 2.8mm 3.0mm	OP-0145 2pcs
87005-2 6.1x13.9x0.15 Washer 6pcs	87375 6pcs	89312 6pcs 2pcs	90053 2pcs	OP-0116 RR CNC ALUM	OP-0146 40T
87021 2pcs	87613 Antenna tube	89604 4pcs 2pcs 4pcs 6pcs	90071 2pcs 2pcs	OP-0117 CNC ALUM RR 0.5"	OP-0147 15T
87027-1 2.5x16.8mm Pin 4pcs	88001 	89635 M3x8 CNC ALUM	90079 2pcs	OP-0118 CNC ALUM RR 0.75"	89147 CNC ALUM
87028 13T	88002 M4x47 Screw 4pcs	90010 3.8x97 Dogbone 2pcs	90082 2pcs	OP-0139 2pcs 2.5x10.8mm 2pcs 6.1x13.9x0.15 Washer 2pcs 4pcs 4.1x8x0.1 Washer 4pcs	94018 2pcs M5x4 Set Screw 2pcs 2.5x16.8mm 2pcs
87037 2pcs	88003-1 	90028 M3x50 2pcs	94115 2pcs	OP-0140 Carbon Fiber For 1/5 Motor	94071 2pcs 3x15.8mm 2pcs
87044S 4pcs	88004 	90036 4x2mm O-ring 10pcs 5pcs 5pcs	94117 2pcs 2.5x10.8mm 2pcs 6.1x13.9x0.15 Washer 2pcs 4pcs 4.1x8x0.1 Washer 4pcs	OP-0141 CNC Alum 7075 For 1/5 Motor	36811 CNC Alum 3mm Washer 10pcs
87206 	88013 4x73mm Pin 4pcs	90047 4pcs	OP-0115 RF CNC ALUM	OP-0142 6x149mm Dogbone	
87208 8pcs	88029 	90048 4pcs		OP-0143 Alum/Steel 119mm Dogbone	

Extreme VTE 2

NO.90082 FRONT/REAR SHOCK SET

